



Wafer Double Door Ductile Iron Check Valve

You are welcomed to come to our factory to buy the latest selling, low price, and high-quality Hispeed® Wafer Double Door Ductile Iron Check Valve. We supply Wafer Double Door Ductile Iron Check Valve. The HISPEED® Wafer Double Door Ductile Iron Check Valves may be used in commercial and industrial applications, including water supply, waste water, gas supply, fire protection, HVAC and irrigation. Choose

HISPEED® Wafer Double Door Ductile Iron Check Valves for the most specified, versatile and economical valve option in commercial, mechanical and industrial applications. We are expecting to become your long term partner in China.

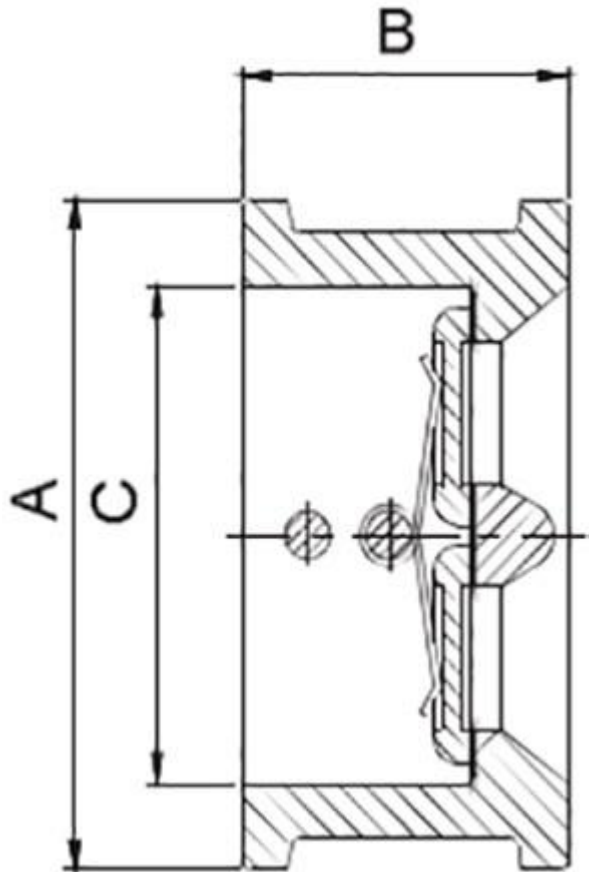
Product Description

You can rest assured to buy customized Hispeed® Wafer Double Door Ductile Iron Check Valve from us. We have the distinct advantage because the success of our company is directly related to each and every individual. We take pride in all we do, and we take pride in a job well done.

The HISPEED® Wafer Double Door Ductile Iron Check Valves may be used in commercial and industrial applications, including water supply, waste water, gas supply, fire protection, HVAC and irrigation. Choose HISPEED® Wafer Double Door Ductile Iron Check Valves for the most specified, versatile and economical valve option in commercial, mechanical and industrial applications. We are expecting to become your long term partner in China.

We've got a remarkably efficient crew to deal with inquiries from clients. Our aim is "100% purchaser satisfaction by our item high-quality, selling price & our crew service" and appreciate an excellent popularity amid consumers. With quite a few factories, we could present a wide variety of High Performance Di Duo Double Door Check Valve Made in China ODM OEM, We warmly welcome merchants from home and overseas to get in touch with us and set up business romance with us, and we're going to do our best to provide you. High Performance China Wafer Type Check Valve, Dual Plate Check Valve, If you are interested in any of our products or would like to discuss a custom order, please feel free to contact us. We are looking forward to forming successful business relationships with new clients around the world in the near future.

Product Parameter (Specification)



Size	A			B
	Table D / E Flange	ANSI 125# / 150# Flange	EN1092-2 PN16 Flange	
DN50	96	102	106	54
DN65	109	121	126	54
DN80	126	134	141	57
DN100	158	172	161	64
DN125	190	194	191	70
DN150	210	220	217	76
DN200	267	277	272	95
DN250	331	337	327	108
DN300	379	407	382	143
DN350	445	447	442	184
DN400	493	511	494	191
DN450	559	546	554	203
DN500	616	602	616	213
DN600	723	715	733	222

Product Feature And Application

The short face to face dimension and compact design of this valve allow installation and service in tight spaces

Spring Assisted for Better Dynamic Behavior

Perfect Tightness Soft Sealed Even At Low Differential Pressure

Flanged and Drilling Complies with ANSI B16.1 Class125 / EN1092-2

300psi/PN16

Fusion Bonded Epoxy Coated Interior and Exterior to AWWA C550 Standard

Product Details

Part Name	Material	EN Specification	ASTM Specification
Body	Ductile Iron	EN1563 EN-JS1040	A536 65-45-12
Disc	Stainless Steel	EN10088 X5CrNi18-10	A351 Grade CF8
Seat	Rubber	EN681, EPDM or NBR	D2000
Hinge Pin	Stainless Steel	EN10088, X20Cr13	A276 Type 420
Stop Pin	Stainless Steel	EN10088, X20Cr13	A276 Type 420
Pin Retainer	Stainless Steel	EN10088 X5CrNi18-10	A276 Type 304
Spring	Stainless Steel	EN10088 X5CrNi18-10	A276 Type 304
Washer	Plastic	Commercial, PTFE	Commercial, PTFE
Gasket	Rubber	EN681, EPDM or NBR	Commercial

Deliver, Shipping And Serving

Ship from Qingdao or another Seaports

FAQ

	Q	A
1	How many days you need to install the equipment?	Unwanted.
2	How many staff abroad you sent to install the equipment?	Unwanted.
3	Can I transfer the money to you then you pay to other supplier?	YES.
4	Can I delivery the goods from other supplier to your factory? Then load together?	YES.
5	When will you leave your factory and to have your spring festival holidays?	According to national regulations.
6	Can the equipment be installed under hot weather?	YES.
7	Can Your products be installed under the cold weather?	YES.

8	Do You have office in shanghai or guangzhou that i can visit?	NONE.
9	Can you send your staff to install the equipment for us?	Unwanted.
10	Can I only buy some spare parts from you?	YES.
11	Will you will attend the fair to show your products?	YES.
12	Can you send your equipment to my warehouse in guangzhou?	YES.
13	How long it takes you to provide the designing options for us?	3 days at most.
14	What is your products standardization?	AWWA BS AIP WRAS FM.
15	How do you pack the equipment?	Negotiate with the customer.
16	Can you can design the equipment according to our size?	YES.
17	How many years have your company made this kind of equipment?	5 years.
18	Which certificate do you have for your equipment?	FM.
19	How many staffs do you have in your factory?	200
20	Do you have any agent in our country?	NONE.
21	Do you have any real project pictures of the equipment?	YES.
22	How far is your factory from the city hotel?	10 km.
23	How far is your factory from the airport?	10 km.
24	How long it will take from guangzhou to your factory?	5 hours.

25	Where is your factory located?	Weifang City, Shandong province.
26	Do you provide free spare parts?	It depends.
27	What is the age range for your products?	Everyone.
28	Do you have detailed and professional installation manual?	YES.
29	If OEM is acceptable?	YES.
30	Do you provide sample? Free or charge?	It depends.
31	What is your term of payment?	30% payment in advance, 70% paid before shipment.
32	What is your MOQ?	One container.
33	Are you a trading company or a manufacturer?	Trade and Industry combination group company.
34	How long is your delivery time?	25-40 days.