



### Silent Ductile Iron Check Valve

As the professional manufacture, we would like to provide you Hispeed® Silent Ductile Iron Check Valve. We supply Silent Ductile Iron Check Valve. The HISPEED® Silent Ductile Iron Check Valves may be used in commercial and industrial applications, including water supply, waste water, gas supply, fire protection, HVAC and irrigation. Choose HISPEED® Silent Ductile Iron Check Valves for the most specified, versatile and

economical valve option in commercial, mechanical and industrial applications. We are expecting to become your long term partner in China.

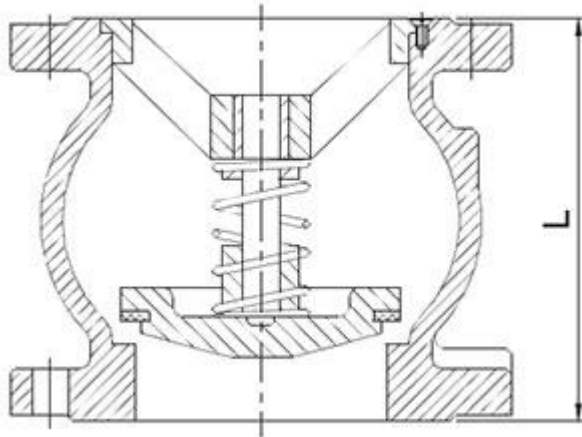
#### Product Description

The following is the introduction of high quality Hispeed® Silent Ductile Iron Check Valve, hoping to help you better understand Silent Ductile Iron Check Valve. Welcome new and old customers to continue to cooperate with us to create a better future! We do everything we can to add value to our customers' experiences, allowing us to be their best option.

The HISPEED® Silent Ductile Iron Check Valves may be used in commercial and industrial applications, including water supply, waste water, gas supply, fire protection, HVAC and irrigation. Choose HISPEED® Silent Ductile Iron Check Valves for the most specified, versatile and economical valve option in commercial, mechanical and industrial applications. We are expecting to become your long term partner in China.

Now we have highly developed devices. Our items are exported towards the USA, the UK and so on, enjoying a great popularity among the customers for China Gold Supplier for China 2 Sets Electrical Furnace Manufacturing Ductile Iron Silent Check Valve with Bronze Seat, We warmly welcome all point of view inquiries from your home and abroad to cooperate with us, and look forward to your correspondence. China Gold Supplier for China Check Valves, Valve, Our company absorbs new ideas, strict quality control, a full range of service tracking, and adhere to make high-quality solutions. Our business aims to "honest and trustworthy, favorable price, customer first", so we won the trust of the majority of customers! If you are interested in our solutions and services, please do not hesitate to contact us.

#### Product Parameter (Specification)



Size	DN50	DN65	DN80	DN100	DN125	DN150	DN200	DN250	DN300	DN350	DN400
L	100	120	140	170	200	230	288	354	410	460	500

**Product Feature And Application**

Complies With Requirements of EN 16767

The design is for liquid service and offers many obvious advantages compared with conventional swing check valve

Spring automatically closes disc at zero flow before flow reversal occurs

Completely guided disc both top and bottom

Perfect tightness soft sealed even at low differential pressure

Flanged and Drilling Complies with ANSI B16.1 Class125 / EN1092 PN16

300PSI/PN16

Fusion Bonded Epoxy Coated Interior and Exterior to AWWA C550 Standard

**Product Details**

Part	Material	EN Specification	ASTM Specification
Body	Ductile Iron	EN1563 EN-JS1040	A536 65-45-12
Seat	Ductile Iron	EN1563 EN-JS1040	A536 65-45-12
Disc	Ductile Iron	EN1563 EN-JS1040	A536 65-45-12
Disc Ring	Rubber	EN 681, EPDM/NBR	D2000, EPDM/NBR
Spring	Stainless Steel	EN 10088-3, X5CrNi18-10	A276 Grade 304
Bushing	Bronze	EN 1982, CC491K	B62 C83600
Stem	Stainless Steel	EN 10088-3, X20Cr13	A276 Grade 420
	Brass	EN 12164, CW614N	B16 C36000
Bracket	Ductile Iron	EN1563 EN-JS1040	A536 65-45-12

**Deliver, Shipping And Serving**

Ship from Qingdao or another Seaports

**FAQ**

	Q	A
1	How many days you need to install the equipment?	Unwanted.
2	How many staff abroad you sent to install the equipment?	Unwanted.
3	Can I transfer the money to you then you pay to other supplier?	YES.
4	Can I delivery the goods from other supplier to your factory? Then load together?	YES.
5	When will you leave your factory and to have your spring festival holidays?	According to national regulations.
6	Can the equipment be installed under hot weather?	YES.
7	Can Your products be installed under the cold weather?	YES.
8	Do You have office in shanghai or guangzhou that i can visit?	NONE.
9	Can you send your staff to install the equipment for us?	Unwanted.
10	Can I only buy some spare parts from you?	YES.
11	Will you will attend the fair to show your products?	YES.
12	Can you send your equipment to my warehouse in guangzhou?	YES.
13	How long it takes you to provide the designing options for us?	3 days at most.
14	What is your products standardization?	AWWA BS AIP WRAS FM.
15	How do you pack the equipment?	Negotiate with the customer.
16	Can you can design the	YES.

	equipment according to our size?	
17	How many years have your company made this kind of equipment?	5 years.
18	Which certificate do you have for your equipment?	FM.
19	How many staffs do you have in your factory?	200
20	Do you have any agent in our country?	NONE.
21	Do you have any real project pictures of the equipment?	YES.
22	How far is your factory from the city hotel?	10 km.
23	How far is your factory from the airport?	10 km.
24	How long it will take from guangzhou to your factory?	5 hours.
25	Where is your factory located?	Weifang City, Shandong province.
26	Do you provide free spare parts?	It depends.
27	What is the age range for your products?	Everyone.
28	Do you have detailed and professional installation manual?	YES.
29	If OEM is acceptable?	YES.
30	Do you provide sample? Free or charge?	It depends.
31	What is your term of payment?	30% payment in advance, 70% paid before shipment.
32	What is your MOQ?	One container.
33	Are you a trading company or a manufacturer?	Trade and Industry combination group company.
34	How long is your delivery time?	25-40 days.