



Short Female Elbow

We supply Short Female Elbow. The HISPEED® Short Female Elbow can be applied to water treatment and drinking water, oil and gas, heating & power, HVAC system, medicine & food and so on. We are specialized in providing stainless steel press fittings system solutions and products for pipelines. We are expecting to become your long term partner in China.

Product Description

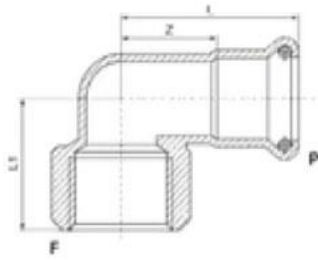
You are welcomed to come to our factory to buy the latest selling, low price, and high-quality Hispeed® Short Female Elbow. We look forward to cooperating with you.

The HISPEED® Short Female Elbow can be applied to water treatment and drinking water, oil and gas, heating & power, HVAC system, medicine & food and so on. We are specialized in providing stainless steel press fittings system solutions and products for pipelines. We are expecting to become your long term partner in China.

Our organization has been specializing in brand strategy. Customers' satisfaction is our greatest advertising. We also provide OEM company for Cheap price China Stainless Steel 90 Degree Male Female BSPT Reducing Elbow, With a wide range, top quality, acceptable charges and great assistance, we are going to be your finest business partner. We welcome new and previous prospects from all walks of lifetime to get in touch with us for upcoming small business interactions and accomplishing mutual achievement! Cheap price China Pipe Fittings, Screwed Fittings, If you give us a list of merchandise you are interested in, along with makes and models, we can send you quotations. Make sure you email us directly. Our goal is to establish long-term and mutually profitable business relationships with domestic and overseas clients. We look forward to receiving your reply soon.

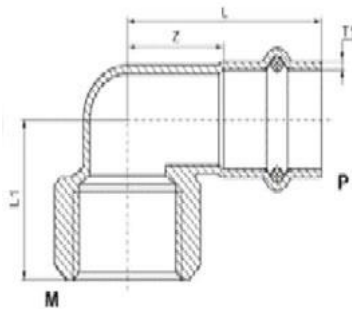
Product Parameter (Specification)

Short Female Elbow-M:



Size (OD) mm	L mm	Z mm	T1 mm
15xRp1/2	48±2	28	1.5
18xRp1/2	56±2	37	1.5
22xRp1/2	49±2	28	1.5
22xRp3/4	52±2	32	1.5
28xRp1	60±2	37	1.5
28xRp3/4	67±2	46	1.5

Short Female Elbow-V:



Size (OD) mm	L mm	Z mm	T1 mm
15xRp1/2	46	23	1.5
18xRp1/2	48	25	1.5
22xRp1/2	49	25	1.5
22xRp3/4	57.5	34.5	1.5

Product Feature And Application

- Easy&fast to install
- Long service life
- Wide range of applications
- Green health&Environmental protection
- Excellent corrosion resistance&Low cost of labour

Product Details

SS304/SS316L/carbon steel(galvanized)
O-ring in EPDM/FKM/NBR are available

Deliver,Shipping And Serving

Ship from Qingdao or another Seaports

FAQ

	Q	A
1	How many days you need to install the equipment?	Unwanted.
2	How many staff abroad you sent to install the equipment?	Unwanted.

3	Can I transfer the money to you then you pay to other supplier?	YES.
4	Can I delivery the goods from other supplier to your factory? Then load together?	YES.
5	When will you leave your factory and to have your spring festival holidays?	According to national regulations.
6	Can the equipment be installed under hot weather?	YES.
7	Can Your products be installed under the cold weather?	YES.
8	Do You have office in shanghai or guangzhou that i can visit?	NONE.
9	Can you send your staff to install the equipment for us?	Unwanted.
10	Can I only buy some spare parts from you?	YES.
11	Will you will attend the fair to show your products?	YES.
12	Can you send your equipment to my warehouse in guangzhou?	YES.
13	How long it takes you to provide the designing options for us?	3 days at most.
14	What is your products standardization?	AWWA BS AIP WRAS FM.
15	How do you pack the equipment?	Negotiate with the customer.
16	Can you can design the equipment according to our size?	YES.
17	How many years have your company made this kind of equipment?	5 years.
18	Which certificate do you have for your equipment?	FM.

19	How many staffs do you have in your factory?	200
20	Do you have any agent in our country?	NONE.
21	Do you have any real project pictures of the equipment?	YES.
22	How far is your factory from the city hotel?	10 km.
23	How far is your factory from the airport?	10 km.
24	How long it will take from guangzhou to your factory?	5 hours.
25	Where is your factory located?	Weifang City,Shandong province.
26	Do you provide free spare parts?	It depends.
27	What is the age range for your products?	Everyone.
28	Do you have detailed and professional installation manual?	YES.
29	If OEM is acceptable?	YES.
30	Do you provide sample? Free or charge?	It depends.
31	What is your term of payment?	30% payment in advance, 70% paid before shipment.
32	What is your MOQ?	One container.
33	Are you a trading company or a manufacturer?	Trade and Industry combination group company.
34	How long is your delivery time?	25-40 days.