



Quick Response Sprinklers

We supply Quick Response Sprinklers. The HISPEED® Quick Response Fire sprinklers are built with the designer and installer in mind, helping you protect lives and preserve property in even the most challenging situations. The HISPEED® quick response sprinklers are ideal for protecting light and ordinary hazard applications such as office buildings, hotels, schools, and restaurants to control the spread of fire. The HISPEED® quick response sprinklers are available in a variety of finishes and temperatures, employing either a rugged fusible link or a frangible glass bulb operating element. We are expecting to become your long term partner in China.

response sprinklers are available in a variety of finishes and temperatures, employing either a rugged fusible link or a frangible glass bulb operating element. We are expecting to become your long term partner in China.

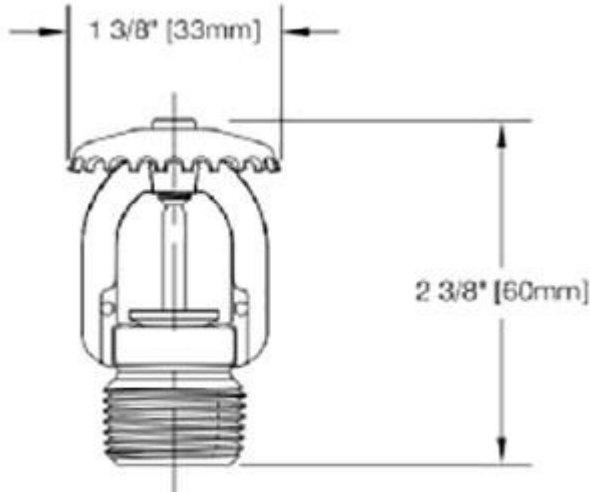
Product Description

You are welcomed to come to our factory to buy the latest selling, low price, and high-quality Hispeed® Quick Response Sprinklers. We look forward to cooperating with you.

The HISPEED® Quick Response Fire sprinklers are built with the designer and installer in mind, helping you protect lives and preserve property in even the most challenging situations. The HISPEED® quick response sprinklers are ideal for protecting light and ordinary hazard applications such as office buildings, hotels, schools, and restaurants to control the spread of fire. The HISPEED® quick response sprinklers are available in a variety of finishes and temperatures, employing either a rugged fusible link or a frangible glass bulb operating element. We are expecting to become your long term partner in China.

That has a sound business credit history, outstanding after-sales service and modern producing facilities, we have earned an superb popularity amid our buyers across the planet for Price Sheet for China High Quality Quick Response Fire Sprinkler for Fire Fighting, Let's cooperate hand in hand to jointly generate a beautiful foreseeable future. We sincerely welcome you to visit our corporation or call us for cooperation! Price Sheet for China Fire Sprinkler, Quick Response Sprinkler, We pay high attention to customer service, and cherish every customer. We have maintained a strong reputation in the industry for many years. We are honest and work on building a long-term relationship with our customers.

Product Parameter (Specification)



3.Product Feature And Application

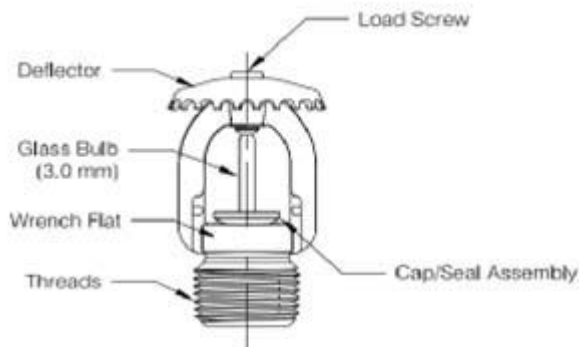
Temperature Ratings

- 135°F (57°C)
- 155°F (68°C)
- 175°F (79°C)
- 200°F (93°C)
- 286°F (141°C)

Technical Specifications

- Style:** Upright
- Threads:** 1/2" NPT or ISO 7-R1/2
- Nominal K-Factor:** 2.8 (40 metric)
- Max. Working Pressure:** 175 psi (12 bar)

4.Product Details



Material Specifications

- Thermal Sensor:** 3 mm Glass Bulb
- Sprinkler Frame:** Brass Alloy
- Cap:** Bronze Alloy
- Sealing Washer:** Nickel with PTFE
- Load Screw:** Copper Alloy
- Deflector:** Brass Alloy

Deliver,Shipping And Serving

Ship from Qingdao or another Seaports

FAQ

	Q	A
--	---	---

1	How many days you need to install the equipment?	Unwanted.
2	How many staff abroad you sent to install the equipment?	Unwanted.
3	Can I transfer the money to you then you pay to other supplier?	YES.
4	Can I delivery the goods from other supplier to your factory? Then load together?	YES.
5	When will you leave your factory and to have your spring festival holidays?	According to national regulations.
6	Can the equipment be installed under hot weather?	YES.
7	Can Your products be installed under the cold weather?	YES.
8	Do You have office in shanghai or guangzhou that i can visit?	NONE.
9	Can you send your staff to install the equipment for us?	Unwanted.
10	Can I only buy some spare parts from you?	YES.
11	Will you will attend the fair to show your products?	YES.
12	Can you send your equipment to my warehouse in guangzhou?	YES.
13	How long it takes you to provide the designing options for us?	3 days at most.
14	What is your products standardization?	AWWA BS AIP WRAS FM.
15	How do you pack the equipment?	Negotiate with the customer.
16	Can you can design the equipment according to our size?	YES.
17	How many years have your	5 years.

	company made this kind of equipment?	
18	Which certificate do you have for your equipment?	FM.
19	How many staffs do you have in your factory?	200
20	Do you have any agent in our country?	NONE.
21	Do you have any real project pictures of the equipment?	YES.
22	How far is your factory from the city hotel?	10 km.
23	How far is your factory from the airport?	10 km.
24	How long it will take from guangzhou to your factory?	5 hours.
25	Where is your factory located?	Weifang City,Shandong province.
26	Do you provide free spare parts?	It depends.
27	What is the age range for your products?	Everyone.
28	Do you have detailed and professional installation manual?	YES.
29	If OEM is acceptable?	YES.
30	Do you provide sample? Free or charge?	It depends.
31	What is your term of payment?	30% payment in advance, 70% paid before shipment.
32	What is your MOQ?	One container.
33	Are you a trading company or a manufacturer?	Trade and Industry combination group company.
34	How long is your delivery time?	25-40 days.