



PN16 Ductile Iron Double Eccentric Butterfly Valve

As the professional manufacture, we would like to provide you Hispeed® PN16 Ductile Iron Double Eccentric Butterfly Valve. We supply PN16 Ductile Iron Double Eccentric Butterfly Valve. The HISPEED® Ductile Iron Double Eccentric Butterfly Valves are used, for example, as system, sectional and pump water control valves. The HISPEED® Ductile Iron Double Eccentric Butterfly Valve may

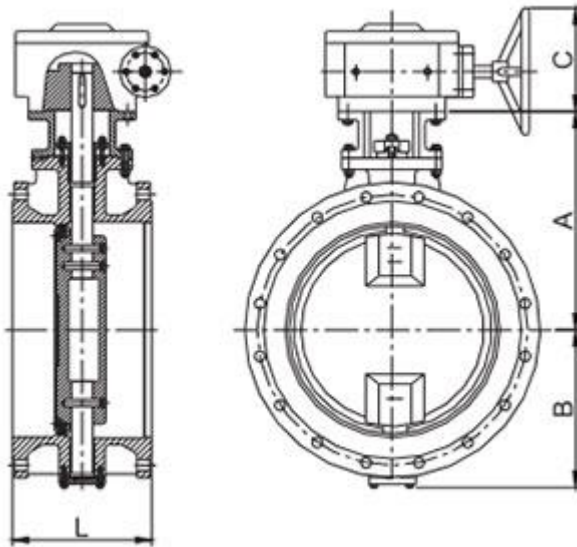
be used in commercial and industrial applications, including water supply, waste water, gas supply, fire protection, HVAC and irrigation. Choose HISPEED® Ductile Iron Double Eccentric Butterfly Valve for the most specified, versatile and economical valve option in commercial, mechanical and industrial applications. The butterfly valve features a PN16 flange, raised face end connection for easy installation and accessibility. We are expecting to become your long term partner in China

Product Description

As a professional high quality Hispeed® PN16 Ductile Iron Double Eccentric Butterfly Valve manufacture, you can rest assured to buy PN16 Ductile Iron Double Eccentric Butterfly Valve from our factory and we will offer you the best after-sale service and timely delivery. We always feel that all success of our company is directly related to the quality of the products we offer.

The HISPEED® Ductile Iron Double Eccentric Butterfly Valves are used, for example, as system, sectional and pump water control valves. The HISPEED® Ductile Iron Double Eccentric Butterfly Valve may be used in commercial and industrial applications, including water supply, waste water, gas supply, fire protection, HVAC and irrigation. Choose HISPEED® Ductile Iron Double Eccentric Butterfly Valve for the most specified, versatile and economical valve option in commercial, mechanical and industrial applications. The butterfly valve features a PN16 flange, raised face end connection for easy installation and accessibility. We are expecting to become your long term partner in China. No matter new customer or previous client, We believe in prolonged time period and trustworthy relationship for Top Quality Electric Actuator Butterfly Valve DN300 Pn16 China Factory Ductile Iron Flanged Eccentric Butterfly Valve Resilient Seat Double Offset/Eccentric Butterfly Valve, We warmly welcome all intrigued prospects to make contact with us for more details. Top Quality China Double Eccentric Butterfly Valve, Ductile Iron Butterfly Valve, We integrate all our advantages to continuously innovate, improve and optimize our industrial structure and product performance. We are going to always believe in and work on it. Welcome to join us to promote green light, together we'll make a better Future.

Product Parameter (Specification)



Size	80	100	125	150	200	250	300	350	400	450	500	600
L	Series 13	114	127	140	140	152	165	178	190	216	222	267
	Series 14	180	190	200	210	230	250	270	290	310	330	390
A	193	205	225	235	285	315	360	405	450	475	510	610
B	123	135	145	155	195	205	250	270	315	335	365	440
C	120	120	160	160	160	160	200	200	230	230	230	260

Size	700	800	900	1000	1200	1400	1600	1800	2000	2200	2400	-
L	Series 13	292	318	330	410	470	530	600	670	760	850	-
	Series 14	430	470	510	550	630	710	790	870	950	1030	1110
A	655	720	770	880	1000	1110	1275	1360	2155	1725	1745	-
B	475	540	600	665	800	895	1055	1120	1335	1415	1515	-
C	260	260	335	335	335	350	400	400	520	520	520	-

Product Feature And Application

Meet or exceed EN593

Double eccentric type

Robust design

Stainless steel seat welded on the body

Mounting flange in accordance with ISO 5211

Flange and drilling complies with EN1092-2 PN16

PN16

Fusion Bonded Epoxy Coated Interior and Exterior to AWWA C550 Standard

Product Details

Part	Material	EN Specification
Body	Ductile Iron	EN 1563, GJS-450-10
Body Seat	Stainless Steel	EN 10088, X5CrNi18-10 (1.4301)
Shaft	Stainless Steel	EN 10088, X20Cr13 (1.4021)
Disc	Ductile Iron	EN 1563, GJS-450-10
Disc Seat Ring	Rubber	EN 681, EPDM
Disc Holding Plate	Stainless Steel	EN 10088, X5CrNi18-10 (1.4301)
Shaft Bushing	Brass	EN 12168, CuZn39Pb3(CW614N)
Adjust Spacer	Bronze	EN 12420, CuAl10Fe1 (CW305G)
Shaft Sealing	O-Ring	EN 681, BUNA-N
Bottom Plate	Ductile Iron	EN 1563, GJS-450-10

Deliver, Shipping And Serving

Ship from Qingdao or another Seaports

FAQ

	Q	A
1	How many days you need to install the equipment?	Unwanted.
2	How many staff abroad you sent to install the equipment?	Unwanted.
3	Can I transfer the money to you then you pay to other supplier?	YES.
4	Can I delivery the goods from other supplier to your factory? Then load together?	YES.
5	When will you leave your factory and to have your spring festival holidays?	According to national regulations.
6	Can the equipment be installed under hot weather?	YES.
7	Can Your products be installed under the cold weather?	YES.
8	Do You have office in shanghai or guangzhou that i can visit?	NONE.
9	Can you send your staff to install	Unwanted.

	the equipment for us?	
10	Can I only buy some spare parts from you?	YES.
11	Will you will attend the fair to show your products?	YES.
12	Can you send your equipment to my warehouse in guangzhou?	YES.
13	How long it takes you to provide the designing options for us?	3 days at most.
14	What is your products standardization?	AWWA BS AIP WRAS FM.
15	How do you pack the equipment?	Negotiate with the customer.
16	Can you can design the equipment according to our size?	YES.
17	How many years have your company made this kind of equipment?	5 years.
18	Which certificate do you have for your equipment?	FM.
19	How many staffs do you have in your factory?	200
20	Do you have any agent in our country?	NONE.
21	Do you have any real project pictures of the equipment?	YES.
22	How far is your factory from the city hotel?	10 km.
23	How far is your factory from the airport?	10 km.
24	How long it will take from guangzhou to your factory?	5 hours.
25	Where is your factory located?	Weifang City,Shandong province.
26	Do you provide free spare parts?	It depends.
27	What is the age range for your	Everyone.

	products?	
28	Do you have detailed and professional installation manual?	YES.
29	If OEM is acceptable?	YES.
30	Do you provide sample? Free or charge?	It depends.
31	What is your term of payment?	30% payment in advance, 70% paid before shipment.
32	What is your MOQ?	One container.
33	Are you a trading company or a manufacturer?	Trade and Industry combination group company.
34	How long is your delivery time?	25-40 days.