



Nozzles and Open Sprinklers

We supply Nozzles and Open Sprinklers. The HISPEED® Nozzles and Open Sprinklers are discharge devices used as part of deluge systems to protect high-hazard areas such as tunnels, oil refineries, chemical facilities, offshore platforms, and power plants. These locations frequently contain highly flammable, combustible, or explosive materials that require robust fire protection systems. The HISPEED® Nozzles and

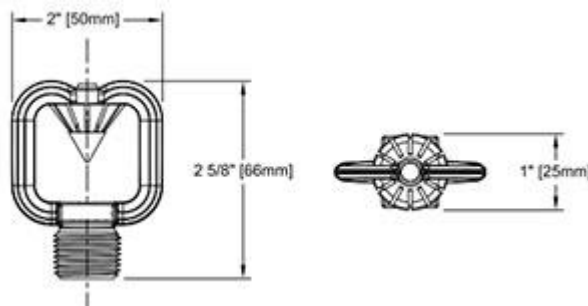
Open Sprinklers provide water flow that is controlled manually or through quick opening valves that are pneumatically, hydraulically, or electrically activated. We are expecting to become your long term partner in China.

Product Description

You are welcomed to come to our factory to buy the latest selling, low price, and high-quality Hispeed® Nozzles and Open Sprinklers. We look forward to cooperating with you.

The HISPEED® Nozzles and Open Sprinklers are discharge devices used as part of deluge systems to protect high-hazard areas such as tunnels, oil refineries, chemical facilities, offshore platforms, and power plants. These locations frequently contain highly flammable, combustible, or explosive materials that require robust fire protection systems. The HISPEED® Nozzles and Open Sprinklers provide water flow that is controlled manually or through quick opening valves that are pneumatically, hydraulically, or electrically activated. We are expecting to become your long term partner in China.

Product Parameter (Specification)



Product Feature And Application

Technical Specifications

Style: Open Nozzle

Threads: ½" NPT or ISO 7-1 R1/2

Max. Working Pressure: 175psi (12bar)

Nominal K-factor, gpm/psi^{1/2} (L/min/bar^{1/2})

1.2 (17), 1.8 (26), 2.3 (33), 3.0 (43), 4.1 (59), 5.6 (80), 7.2 (104)

Nozzle Angle

65°, 80°, 95°, 110°, 125°, 140°, 160°, 180°

Product Details

Material Specifications

Frame: Brass

Deflector Pin: Brass

Deflector: Brass

Blow-off Plug: Elastomer

Deliver,Shipping And Serving

Ship from Qingdao or another Seaports

FAQ

	Q	A
1	How many days you need to install the equipment?	Unwanted.
2	How many staff abroad you sent to install the equipment?	Unwanted.
3	Can I transfer the money to you then you pay to other supplier?	YES.
4	Can I delivery the goods from other supplier to your factory? Then load together?	YES.
5	When will you leave your factory and to have your spring festival holidays?	According to national regulations.
6	Can the equipment be installed under hot weather?	YES.

7	Can Your products be installed under the cold weather?	YES.
8	Do You have office in shanghai or guangzhou that i can visit?	NONE.
9	Can you send your staff to install the equipment for us?	Unwanted.
10	Can I only buy some spare parts from you?	YES.
11	Will you will attend the fair to show your products?	YES.
12	Can you send your equipment to my warehouse in guangzhou?	YES.
13	How long it takes you to provide the designing options for us?	3 days at most.
14	What is your products standardization?	AWWA BS AIP WRAS FM.
15	How do you pack the equipment?	Negotiate with the customer.
16	Can you can design the equipment according to our size?	YES.
17	How many years have your company made this kind of equipment?	5 years.
18	Which certificate do you have for your equipment?	FM.
19	How many staffs do you have in your factory?	200
20	Do you have any agent in our country?	NONE.
21	Do you have any real project pictures of the equipment?	YES.
22	How far is your factory from the city hotel?	10 km.
23	How far is your factory from the airport?	10 km.

24	How long it will take from guangzhou to your factory?	5 hours.
25	Where is your factory located?	Weifang City, Shandong province.
26	Do you provide free spare parts?	It depends.
27	What is the age range for your products?	Everyone.
28	Do you have detailed and professional installation manual?	YES.
29	If OEM is acceptable?	YES.
30	Do you provide sample? Free or charge?	It depends.
31	What is your term of payment?	30% payment in advance, 70% paid before shipment.
32	What is your MOQ?	One container.
33	Are you a trading company or a manufacturer?	Trade and Industry combination group company.
34	How long is your delivery time?	25-40 days.