



Non-Rising Stem Cast Iron Gate Valve

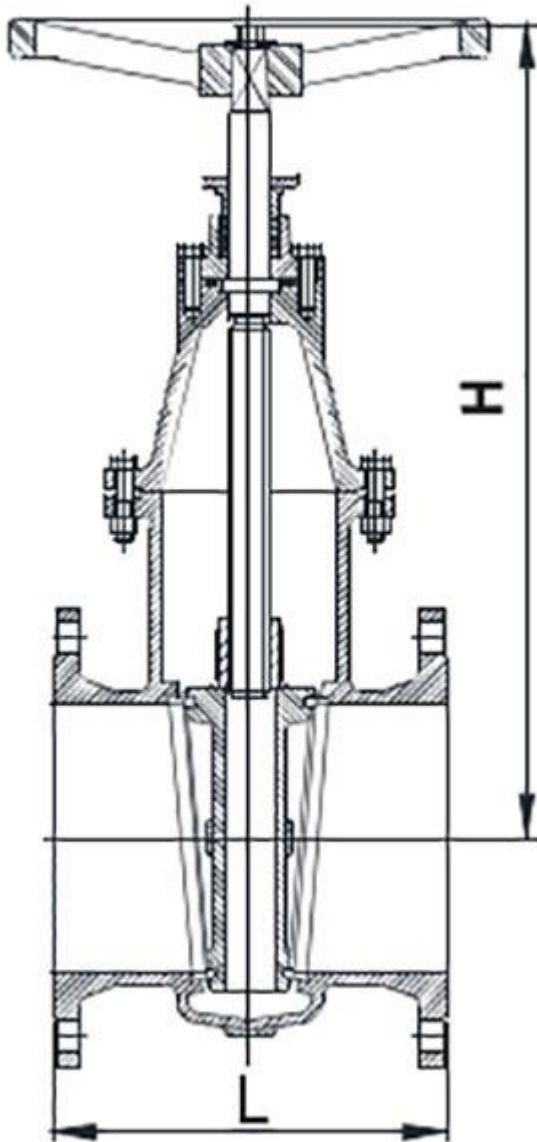
As the professional manufacture, we would like to provide you Hispeed® Non-Rising Stem Cast Iron Gate Valve. We supply Non-Rising Stem Cast Iron Gate Valve. The Cast Iron Gate Valve provides full flow with minimal pressure drop. The Cast Iron Gate Valve features a Class 125 flange or a PN16 flange, easy installation and accessibility. The HISPEED® flanged cast iron gate valve may be used in commercial and industrial applications, including hot and cold water, HVAC, steam, gas and other general utility services. Choose HISPEED® gate valves for the most specified, versatile and economical valve option in commercial, mechanical and industrial applications. We are expecting to become your long term partner in China.

Product Description

You can rest assured to buy Hispeed® Non-Rising Stem Cast Iron Gate Valve from our factory and we will offer you the best after-sale service and timely delivery. We have achieved remarkable success in this domain as a result of our focused approach, timely delivery, and ethical company philosophy.

The Cast Iron Gate Valve provides full flow with minimal pressure drop. The Cast Iron Gate Valve features a Class 125 flange or a PN16 flange, flat face end connection for easy installation and accessibility. The HISPEED® flanged cast iron gate valve may be used in commercial and industrial applications, including hot and cold water, HVAC, steam, gas and other general utility services. Choose HISPEED® gate valves for the most specified, versatile and economical valve option in commercial, mechanical and industrial applications. We are expecting to become your long term partner in China. Our intention should be to fulfill our consumers by offering golden provider, superior price and superior quality for OEM China China Factory Cast Iron Non-Rising Stem Resilient Gate Valve, We're going to endeavor to maintain our great status as the ideal products and solutions supplier while in the world. For those who have any questions or responses, please contact with us freely. OEM China China Hydraulic Valve, Ductile Iron Valve, Our merchandise are widely recognized and trusted by users and can meet continuously changing of economic and social needs. We welcome new and old customers from all walks of life to contact us for future business relationships and mutual success!

Product Parameter (Specification)



Size	2"	2-1/2"	3"	4"	5"	6"	8"	10"	12"	14"	16"	18"
L	178	191	203	229	254	267	292	330	356	381	406	432
H	240	325	340	420	480	545	668	750	835	995	1130	1240

Size	20"	24"	28"	30"	32"	36"	42"	48"	54"	60"	66"	-
L	457	508	610	610	660	711	915	1180	945	945	945	-
H	1350	1370	1520	1850	1930	2215	2440	2865	3090	3315	3435	-

Product Feature And Application

Meet or exceed AWWA C500/BS5150

Full Waterway

Adjustable Packing

Face to Face Dimensions to ANSI/ASME B16.10,EN558 S03

Flange Drilling to ANSI B16.1,Class 125/EN1092-2 PN16

Product Details

Part Name	Materials	ASTM Specification
Body	Cast/Ductile Iron	A126 ClassB/A536 65-45-12
Bonnet	Cast/Ductile Iron	A126 ClassB/A536 65-45-12
Body Seat	Bronze	B62 C83600
Wedge	Cast/Ductile Iron	A126 ClassB/A536 65-45-12
Wedge Seat	Bronze	B62 C83600
Stem	Stainless Steel	A276 Grade 420
Wedge Nut	Brass	B148 C95200
Gasket	Graphite	Non-asbestos
Packing	Graphite	Non-asbestos
Fasteners	Carbon Steel	A307 Grade B
Handwheel	Cast/Ductile Iron	A126 ClassB/A536 65-45-12

Deliver, Shipping And Serving

Ship from Qingdao or another Seaports

FAQ

	Q	A
1	How many days you need to install the equipment?	Unwanted.
2	How many staff abroad you sent to install the equipment?	Unwanted.
3	Can I transfer the money to you then you pay to other supplier?	YES.
4	Can I delivery the goods from other supplier to your factory? Then load together?	YES.
5	When will you leave your factory and to have your spring festival holidays?	According to national regulations.
6	Can the equipment be installed under hot weather?	YES.
7	Can Your products be installed under the cold weather?	YES.
8	Do You have office in shanghai or guangzhou that i can visit?	NONE.
9	Can you send your staff to install the equipment for us?	Unwanted.
10	Can I only buy some spare parts from you?	YES.
11	Will you will attend the fair to show	YES.

	your products?	
12	Can you send your equipment to my warehouse in guangzhou?	YES.
13	How long it takes you to provide the designing options for us?	3 days at most.
14	What is your products standardization?	AWWA BS AIP WRAS FM.
15	How do you pack the equipment?	Negotiate with the customer.
16	Can you can design the equipment according to our size?	YES.
17	How many years have your company made this kind of equipment?	5 years.
18	Which certificate do you have for your equipment?	FM.
19	How many staffs do you have in your factory?	200
20	Do you have any agent in our country?	NONE.
21	Do you have any real project pictures of the equipment?	YES.
22	How far is your factory from the city hotel?	10 km.
23	How far is your factory from the airport?	10 km.
24	How long it will take from guangzhou to your factory?	5 hours.
25	Where is your factory located?	Weifang City,Shandong province.
26	Do you provide free spare parts?	It depends.
27	What is the age range for your products?	Everyone.
28	Do you have detailed and professional installation manual?	YES.
29	If OEM is acceptable?	YES.
30	Do you provide sample? Free or charge?	It depends.
31	What is your term of payment?	30% payment in advance, 70% paid before shipment.
32	What is your MOQ?	One container.
33	Are you a trading company or a manufacturer?	Trade and Industry combination group company.
34	How long is your delivery time?	25-40 days.