



Elbow with Female Threaded

We supply Elbow with Female Threaded. The HISPEED® Elbow with Female Threaded can be applied to water treatment and drinking water, oil and gas, heating & power, HVAC system, medicine & food and so on. We are specialized in providing stainless steel press fittings system solutions and products for pipelines. We are expecting to become your long term partner in China.

Product Description

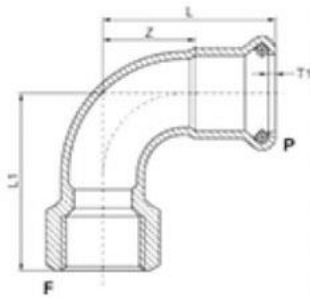
You can rest assured to buy Hispeed® Elbow with Female Threaded from our factory and we will offer you the best after-sale service and timely delivery.

The HISPEED® Elbow with Female Threaded can be applied to water treatment and drinking water, oil and gas, heating & power, HVAC system, medicine & food and so on. We are specialized in providing stainless steel press fittings system solutions and products for pipelines. We are expecting to become your long term partner in China.

We keep on with our enterprise spirit of "Quality, Performance, Innovation and Integrity". We intention to create far more value for our buyers with our loaded resources, state-of-the-art machinery, experienced workers and great expert services for Manufacturer for China High Quality 90 Degree Elbow Female Threaded for Gas System, Welcome to set up long-term relationship with us. Best Price For Good Quality in China. Manufacturer for China Pipe Fitting, Tees, Our advantages are our innovation, flexibility and reliability which have been built during last 20 years. We focus on providing service for our clients as a key element in strengthening our long-term relationships. The continual availability of high grade products in combination with our excellent pre- and after-sales service ensures strong competitiveness in an increasingly globalized market.

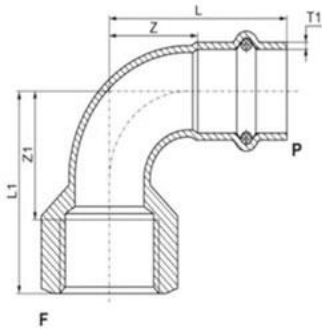
Product Parameter (Specification)

Elbow with Female Threaded-M:



Size (OD) mm	L mm	Z mm	T1 mm
15xRp1/2	42.5±2	22	1.5
18xRp1/2	47±2	26.5	1.5
18xRp3/4	44	24	1.5
22xRp1/2	52.5±2	31.5	1.5
22xRp3/4	52.5±2	31.5	1.5
28xRp1	62±2	39	1.5
35xRp1 1/4	72±2	45	1.5
42xRp1 1/2	88±2	57	1.5
54xRp2	106±2	70	1.5

Elbow with Female Threaded-V:



Size (OD) mm	L mm	Z mm	T1 mm
15 x R p 1 / 2	46±2	24	1.5
18 x R p 1 / 2	50±2	28	1.5
22 x R p 1 / 2	56±2	33	1.5
22 x R p 3 / 4	56±2	33	1.5
28 x R p 1	62±2	38	1.5
35 x R p 1 1 / 4	75±2	48	1.5
42 x R p 1 1 / 2	93±2	57	1.5
54 x R p 2	110±2	70	1.5

Product Feature And Application

- Easy&fast to install
- Long service life
- Wide range of applications
- Green health&Environmental protection
- Excellent corrosion resistance&Low cost of labour

Product Details

SS304/SS316L/carbon steel(galvanized)
O-ring in EPDM/FKM/NBR are available

Deliver,Shipping And Serving

Ship from Qingdao or another Seaports

FAQ

	Q	A
1	How many days you need to install the equipment?	Unwanted.
2	How many staff abroad you sent to install the equipment?	Unwanted.
3	Can I transfer the money to you then you pay to other supplier?	YES.
4	Can I delivery the goods from other supplier to your factory? Then load together?	YES.
5	When will you leave your factory and to have your spring festival holidays?	According to national regulations.
6	Can the equipment be installed under hot weather?	YES.
7	Can Your products be installed under the cold weather?	YES.
8	Do You have office in shanghai or guangzhou that i can visit?	NONE.
9	Can you send your staff to install the equipment for us?	Unwanted.
10	Can I only buy some spare parts from you?	YES.
11	Will you will attend the fair to show your products?	YES.
12	Can you send your equipment to my warehouse in guangzhou?	YES.
13	How long it takes you to provide the designing options for us?	3 days at most.
14	What is your products standardization?	AWWA BS AIP WRAS FM.
15	How do you pack the equipment?	Negotiate with the customer.
16	Can you can design the equipment according to our size?	YES.

17	How many years have your company made this kind of equipment?	5 years.
18	Which certificate do you have for your equipment?	FM.
19	How many staffs do you have in your factory?	200
20	Do you have any agent in our country?	NONE.
21	Do you have any real project pictures of the equipment?	YES.
22	How far is your factory from the city hotel?	10 km.
23	How far is your factory from the airport?	10 km.
24	How long it will take from guangzhou to your factory?	5 hours.
25	Where is your factory located?	Weifang City, Shandong province.
26	Do you provide free spare parts?	It depends.
27	What is the age range for your products?	Everyone.
28	Do you have detailed and professional installation manual?	YES.
29	If OEM is acceptable?	YES.
30	Do you provide sample? Free or charge?	It depends.
31	What is your term of payment?	30% payment in advance, 70% paid before shipment.
32	What is your MOQ?	One container.
33	Are you a trading company or a manufacturer?	Trade and Industry combination group company.
34	How long is your delivery time?	25-40 days.