



### Ductile Iron Knife Gate Valve

We supply Hispeed® Ductile Iron Knife Gate Valve. Its application range is very wide, from coal mining in mines and power plants, slag discharge, to urban sewage treatment; from cement and paper mill slurry transportation to food, sanitation, medicine and other professional pipelines. The ultra-thin design of the Knife Gate Valve completely solves the ordinary gate valve, the slab gate valve, the ball valve, the globe valve,

the regulating valve, the butterfly valve and the like with the advantages of small volume, light weight, small flow resistance, no slag accumulation, easy installation and easy disassemble. The flow resistance is large, occupying space, easy to accumulate slag, and difficult to install and maintain. Therefore, a large number of general-purpose cut-off gates and regulating gates are replaced by Knife Gate Valve. We are expecting to become your long term partner in China.

#### Product Description

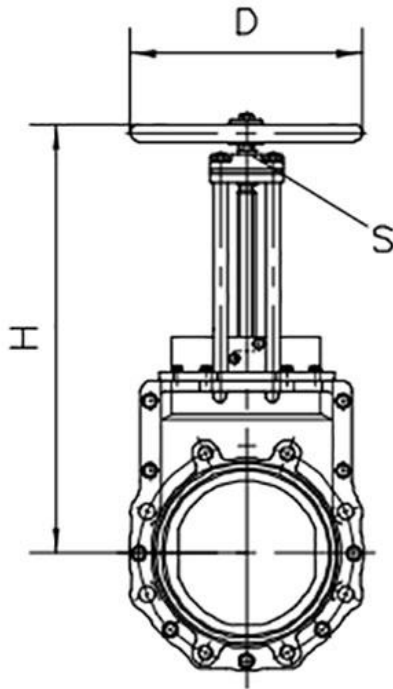
As the professional manufacture, we would like to provide you Hispeed® Ductile Iron Knife Gate Valve. And we will offer you the best after-sale service and timely delivery.

Its application range is very wide, from coal mining in mines and power plants, slag discharge, to urban sewage treatment; from cement and paper mill slurry transportation to food, sanitation, medicine and other professional pipelines. The ultra-thin design of the Knife Gate Valve completely solves the ordinary gate valve, the slab gate valve, the ball valve, the globe valve, the regulating valve, the butterfly valve and the like with the advantages of small volume, light weight, small flow resistance, no slag accumulation, easy installation and easy disassemble. The flow resistance is large, occupying space, easy to accumulate slag, and difficult to install and maintain. Therefore, a large number of general-purpose cut-off gates and regulating gates are replaced by Knife Gate Valve. We are expecting to become your long term partner in China.

We have by far the most highly developed manufacturing equipment, experienced and qualified engineers and workers, regarded high quality handle systems along with a friendly qualified revenue team after-sales support for Leading Manufacturer for China Manufacture Ductile Cast Iron Knife Gate Valve , Our ultimate objective is always to rank as a top brand also to lead as a pioneer inside our field. We're sure our prosperous experience in tool generation will gain customer's trust, Wish to co-operate and co-create an even better upcoming with you! Leading Manufacturer for China Valves, Gate Valves, We've got more than 8 years of experience in this industry and have a good reputation in this field. Our products and solutions have won praise from customers worldwide. Our aim

is to help customers realize their goals. We're making great efforts to achieve this win-win situation and sincerely welcome you to join us.

**Product Parameter (Specification)**



Nominal size DN	Face-to-face dimension L mm	Height H mm	Handwheel D mm	Rev. per stroke	Square S mm
50	43	323	200	12	14
65	46	348	200	16	14
80	46	378	200	20	14
100	52	416	225	25	17
125	56	456	225	31	17
150	56	509	250	30	19
200	60	600	320	40	19
250	68	713	320	50	19
300	78	832	400	60	24
350	78	935	400	70	24
400	102	1016	400	80	24
500	127	1265	500	84	27
600	154	1442	500	100	27

**Product Feature And Application**

Can be used as an intermediate flange or terminal gate valve0.

External stem thread. Not in contact with the medium. At flooded valve optional a rising extension stem is available.

Sealing on both sides–high functional safety in both flow directions, low torques.

Low operating torques—smaller drives, especially for pneumatics.  
 The transverse seal can be replaced without removing the gate valve.  
 Flanged and Drilling Complies with ANSI B16.1 Class 125 / EN 1092-2 PN16.  
 300psi/PN16.  
 Fusion Bonded Epoxy Coated Interior and Exterior to AWWA C550 Standard.

**Product Details**

**Corrosion protection of the body parts:** EKB epoxy powder coating, colour “blue”

**Body parts:** lamellar cast iron EN-JL1040

**Gate:** stainless steel 1.4301

**Profile seal elastically prestressed /adjustable:** Elastomer/PTFE

**U-shaped sealing element:** steel reinforced elastomer

**Stem:** stainless steel 1.4021.05

**Stem nut:** brass

**Connectors:** stainless steel A2, DIN-ISO 3506

**Deliver,Shipping And Serving**

Ship from Qingdao or another Seaports

**FAQ**

	Q	A
1	How many days you need to install the equipment?	Unwanted.
2	How many staff abroad you sent to install the equipment?	Unwanted.
3	Can I transfer the money to you then you pay to other supplier?	YES.
4	Can I delivery the goods from other supplier to your factory? Then load together?	YES.
5	When will you leave your factory and to have your spring festival holidays?	According to national regulations.
6	Can the equipment be installed under hot weather?	YES.
7	Can Your products be installed	YES.

	under the cold weather?	
8	Do You have office in shanghai or guangzhou that i can visit?	NONE.
9	Can you send your staff to install the equipment for us?	Unwanted.
10	Can I only buy some spare parts from you?	YES.
11	Will you will attend the fair to show your products?	YES.
12	Can you send your equipment to my warehouse in guangzhou?	YES.
13	How long it takes you to provide the designing options for us?	3 days at most.
14	What is your products standardization?	AWWA BS AIP WRAS FM.
15	How do you pack the equipment?	Negotiate with the customer.
16	Can you can design the equipment according to our size?	YES.
17	How many years have your company made this kind of equipment?	5 years.
18	Which certificate do you have for your equipment?	FM.
19	How many staffs do you have in your factory?	200
20	Do you have any agent in our country?	NONE.
21	Do you have any real project pictures of the equipment?	YES.
22	How far is your factory from the city hotel?	10 km.
23	How far is your factory from the airport?	10 km.
24	How long it will take from	5 hours.

	guangzhou to your factory?	
25	Where is your factory located?	Weifang City,Shandong province.
26	Do you provide free spare parts?	It depends.
27	What is the age range for your products?	Everyone.
28	Do you have detailed and professional installation manual?	YES.
29	If OEM is acceptable?	YES.
30	Do you provide sample? Free or charge?	It depends.
31	What is your term of payment?	30% payment in advance, 70% paid before shipment.
32	What is your MOQ?	One container.
33	Are you a trading company or a manufacturer?	Trade and Industry combination group company.
34	How long is your delivery time?	25-40 days.