



Cast Steel Y-Strainer

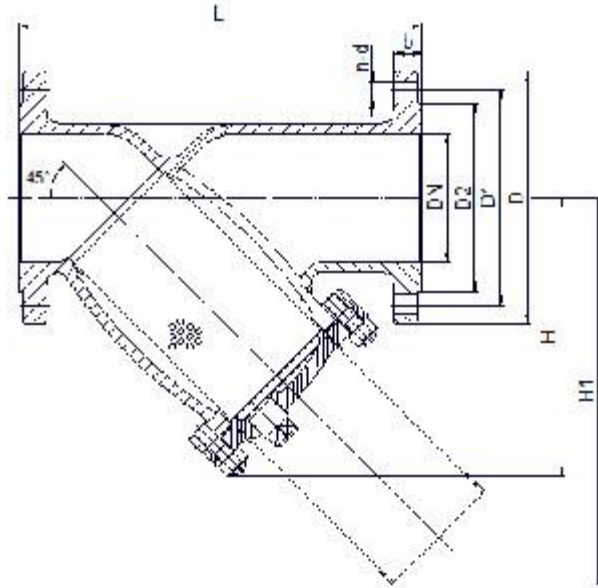
As the professional manufacture, we would like to provide you Hispeed® Cast Steel Y-Strainer. We supply Cast Steel Y-Strainer. The Cast Steel Y-Strainer provides full flow with minimal pressure drop. The Cast Steel Y-Strainer features a flange, easy installation and accessibility. The HISPEED® flanged Cast Steel Y-Strainers may be used in commercial and industrial applications, including chemical, biochemistry, pulp & paper, chemical fiber, pharmaceutical, environmental protection etc. Choose HISPEED® Y-Strainers for the most specified, versatile and economical valve option in commercial, mechanical and industrial applications. We are expecting to become your long term partner in China.

Product Description

You can rest assured to buy Hispeed® Cast Steel Y-Strainer from our factory and we will offer you the best after-sale service and timely delivery.

The Cast Steel Y-Strainer provides full flow with minimal pressure drop. The Cast Steel Y-Strainer features a flange, easy installation and accessibility. The HISPEED® flanged Cast Steel Y-Strainers may be used in commercial and industrial applications, including chemical, biochemistry, pulp & paper, chemical fiber, pharmaceutical, environmental protection etc. Choose HISPEED® Y-Strainers for the most specified, versatile and economical valve option in commercial, mechanical and industrial applications. We are expecting to become your long term partner in China. We insist about the theory of growth of 'High excellent, Performance, Sincerity and Down-to-earth working approach' to offer you with great company of processing for Wholesale Discount China DIN Cast Steel/Stainless Steel Flanged Y Strainer PN16, Sincerely hope we are growing up together with our prospects all over the environment. Wholesale Discount China Flanged Y Strainer, Y Strainer, All the employees in factory, store, and office are struggling for one common goal to supply better quality and service. Real business is to get win-win situation. We would like to deliver more support for customers. Welcome all nice buyers to communicate details of our items with us.

Product Parameter (Specification)



DIMENSIONS(mm) Class 150

NPS	DN	L (RF)	L1 (BW)	D	D1	D2	b	n-d	H	H1	W.T(Kg)
1.5	40	181	260.4	125	98.4	73	14.3	4-15	125	149	6
2	50	200	219	152	120.7	92	15.9	4-19	145	186	9
2.5	65	247.6	269.9	178	139.7	105	17.5	4-19	170	233	13
3	80	255.6	304.8	190	152.4	127	19.1	4-19	183	249	16
4	100	308	368.3	229	190.5	157	23.9	8-19	221	314	26
5	125	397	416	254	215.9	186	23.9	8-22	294	422	41
6	150	470	508	279	241.3	216	25.4	8-22	345	491	56
8	200	543	593.7	343	298.5	270	28.5	8-22	397	556	91
10	250	660.5	695.3	406	362	324	30.2	12-25	477	700	153
12	300	758.8	812.8	483	431.8	381	31.8	12-25	555	807	222
14	350	844.5	889	533	476.3	413	35	12-29	660	985	438

DIMENSIONS(mm) Class300

NPS	DN	L (RF)	L1 (BW)	D	D1	D2	b	n-d	H	H1	W.T(Kg)
1.5	40	181	260.4	155	114.3	73	20.7	4-22	120	153	8.5
2	50	219	219	165	127	92	22.2	8-19	129	164	11
2.5	65	269.9	269.9	190	149.2	105	25.4	8-22	178	243	17
3	80	304.8	304.8	210	168.3	127	28.6	8-22	183	250	23
4	100	368.3	368.3	254	200	157	31.8	8-22	225	314	37

5	125	415.9	415.9	279	235	186	34.9	8-22	294	417	55
6	150	490.5	490.5	318	269.9	216	36.5	12-22	344	496	83
8	200	593.7	593.7	381	330.2	270	41.3	12-25	407	571	129
10	250	695.3	695.3	445	387.3	324	47.6	16-29	495	682	202
12	300	812.8	812.8	521	450.8	381	50.8	16-32	570	810	298
14	350	889	889	584	514.3	413	54.0	20-32	660	985	502

Product Feature And Application

Basic Design: ASME B16.34

Face to Face Dimensions: Manufactory Standard

End Flange Dimensions: ASME B16.5

Butt Welding End: ASME B16.25

Inspection and Test: ASME B16.34

Materials: ASTM

Product Details

PART NAME	MATERIAL			
	CARBON STEEL	STAINLESS STEEL		HIGH-TEMPERATURE STEEL
BODY	ASTM A216 WCB	ASTM A351 CF8	ASTM A351 CF8M	ASTM A217 WC6
SCREEN	304	304	316	304
GASKET	304+GRAPHITE	304+GRAPHITE	316+GRAPHITE	304+GRAPHITE
COVER	ASTM A216 WCB	ASTM A351 CF8	ASTM A351 CF8M	ASTM A217 WC6
STUD	ASTM A193 B7	ASTM A193 B8	ASTM A193 B8	ASTM A193 B16
NUT	ASTM A194 2H	ASTM A194 8	ASTM A194 8	ASTM A194 4
PLUG	A105	304	316	304

Deliver,Shipping And Serving

Ship from Qingdao or another Seaports

FAQ

	Q	A
1	How many days you need to install the equipment?	Unwanted.
2	How many staff abroad you sent to install the equipment?	Unwanted.

3	Can I transfer the money to you then you pay to other supplier?	YES.
4	Can I delivery the goods from other supplier to your factory? Then load together?	YES.
5	When will you leave your factory and to have your spring festival holidays?	According to national regulations.
6	Can the equipment be installed under hot weather?	YES.
7	Can Your products be installed under the cold weather?	YES.
8	Do You have office in shanghai or guangzhou that i can visit?	NONE.
9	Can you send your staff to install the equipment for us?	Unwanted.
10	Can I only buy some spare parts from you?	YES.
11	Will you will attend the fair to show your products?	YES.
12	Can you send your equipment to my warehouse in guangzhou?	YES.
13	How long it takes you to provide the designing options for us?	3 days at most.
14	What is your products standardization?	AWWA BS AIP WRAS FM.
15	How do you pack the equipment?	Negotiate with the customer.
16	Can you can design the equipment according to our size?	YES.
17	How many years have your company made this kind of equipment?	5 years.
18	Which certificate do you have for your equipment?	FM.

19	How many staffs do you have in your factory?	200
20	Do you have any agent in our country?	NONE.
21	Do you have any real project pictures of the equipment?	YES.
22	How far is your factory from the city hotel?	10 km.
23	How far is your factory from the airport?	10 km.
24	How long it will take from guangzhou to your factory?	5 hours.
25	Where is your factory located?	Weifang City,Shandong province.
26	Do you provide free spare parts?	It depends.
27	What is the age range for your products?	Everyone.
28	Do you have detailed and professional installation manual?	YES.
29	If OEM is acceptable?	YES.
30	Do you provide sample? Free or charge?	It depends.
31	What is your term of payment?	30% payment in advance, 70% paid before shipment.
32	What is your MOQ?	One container.
33	Are you a trading company or a manufacturer?	Trade and Industry combination group company.
34	How long is your delivery time?	25-40 days.