



### Cast Steel Pump Control Valve

We supply Cast Steel Pump Control Valve. The HISPEED® Pump Control Valve is designed for installation on the discharge of booster pumps to eliminate pipeline surges caused by the starting and stopping of the pump. The pump starts against a closed valve. When the pump is started, the solenoid control is energized and the valve begins to open slowly, gradually increasing line pressure to full pumping head. When the pump is signaled to shut-off, the solenoid control is de-energized and the valve begins to close slowly, gradually reducing flow while the pump continues to run. Should a power failure occur, a built-in, lift-type check valve closes the moment flow stops, preventing reverse flow regardless of solenoid or diaphragm assembly position. The HISPEED® Pump Control Valves are designed for installation in the water supply connection to sprinkler, deluge, foam systems, or standpipe fire protection systems. The HISPEED® Pump Control Valve features a flange, easy installation and accessibility. We are expecting to become your long term partner in China.

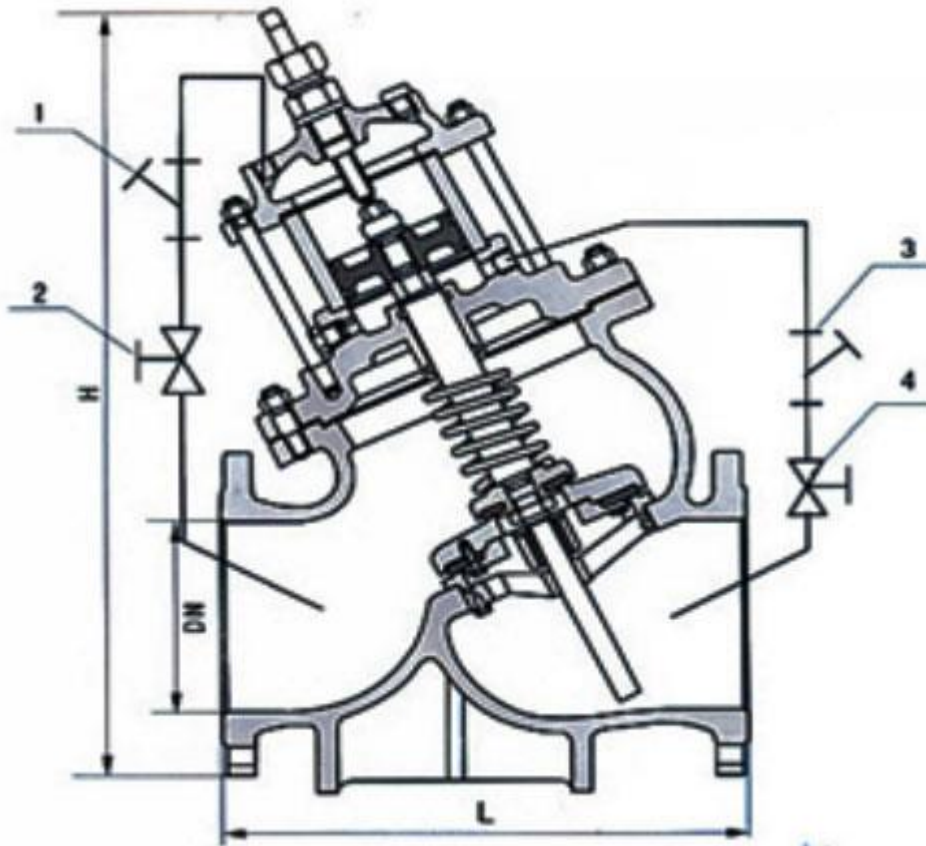
#### Product Description

You are welcomed to come to our factory to buy the latest selling, low price, and high-quality Hispeed® Cast Steel Pump Control Valve. We look forward to cooperating with you.

The HISPEED® Pump Control Valve is designed for installation on the discharge of booster pumps to eliminate pipeline surges caused by the starting and stopping of the pump. The pump starts against a closed valve. When the pump is started, the solenoid control is energized and the valve begins to open slowly, gradually increasing line pressure to full pumping head. When the pump is signaled to shut-off, the solenoid control is de-energized and the valve begins to close slowly, gradually reducing flow while the pump continues to run. Should a power failure occur, a built-in, lift-type check valve closes the moment flow stops, preventing reverse flow regardless of solenoid or diaphragm assembly position.

The HISPEED® Pump Control Valves are designed for installation in the water supply connection to sprinkler, deluge, foam systems, or standpipe fire protection systems. The HISPEED® Pump Control Valve features a flange, easy installation and accessibility. We are expecting to become your long term partner in China.

**Product Parameter (Specification)**



DN	50	65	80	100	125	150	200	250	300	350	400	450	500	600	700	800	900	1000	1200	1400
L	205	216	250	320	365	415	500	605	688	787	914	978	978	1150	1300	1450	1650	1800	2000	2350
H	293	328	364	418	481	543	673	729	927	957	1188	1218	1600	1800	2000	2300	2600	2700	2860	3200

**Product Feature And Application**

- Reasonable design, stable performance, long services life
- Easy to replacement and available on-line maintenance
- The needle valve can adjust the opening and closing speed of the main valve
- Flanged and Drilling Complies with ANSI B16.5 / EN 1092-1 PN16 / Groove dimensions comply with AWWA C606
- 300psi/PN16
- Fusion Bonded Epoxy Coated Interior and Exterior to AWWA C550 Standard

**Product Details**

Part	Material
Body/Bonnet	<b>Cast Steel</b>
Cover	<b>Cast Steel</b>
Stem	AISI 304
Diaphragm	Nylon+EPDM
Support Ring	<b>Cast Steel</b>
Obturator	<b>Cast Steel</b>
Spring	AISI 304
O ring	NBR
Seat	AISI 304
V-Port	AISI 304
Nut	AISI 304
Seal Rings	NBR/EPDM

**Deliver,Shipping And Serving**

Ship from Qingdao or another Seaports

**FAQ**

	Q	A
1	How many days you need to install the equipment?	Unwanted.
2	How many staff abroad you sent to install the equipment?	Unwanted.
3	Can I transfer the money to you then you pay to other supplier?	YES.
4	Can I delivery the goods from other supplier to your factory? Then load together?	YES.
5	When will you leave your factory and to have your spring festival holidays?	According to national regulations.
6	Can the equipment be installed	YES.

	under hot weather?	
7	Can Your products be installed under the cold weather?	YES.
8	Do You have office in shanghai or guangzhou that i can visit?	NONE.
9	Can you send your staff to install the equipment for us?	Unwanted.
10	Can I only buy some spare parts from you?	YES.
11	Will you will attend the fair to show your products?	YES.
12	Can you send your equipment to my warehouse in guangzhou?	YES.
13	How long it takes you to provide the designing options for us?	3 days at most.
14	What is your products standardization?	AWWA BS AIP WRAS FM.
15	How do you pack the equipment?	Negotiate with the customer.
16	Can you can design the equipment according to our size?	YES.
17	How many years have your company made this kind of equipment?	5 years.
18	Which certificate do you have for your equipment?	FM.
19	How many staffs do you have in your factory?	200
20	Do you have any agent in our country?	NONE.
21	Do you have any real project pictures of the equipment?	YES.
22	How far is your factory from the city hotel?	10 km.
23	How far is your factory from the	10 km.

	airport?	
24	How long it will take from guangzhou to your factory?	5 hours.
25	Where is your factory located?	Weifang City, Shandong province.
26	Do you provide free spare parts?	It depends.
27	What is the age range for your products?	Everyone.
28	Do you have detailed and professional installation manual?	YES.
29	If OEM is acceptable?	YES.
30	Do you provide sample? Free or charge?	It depends.
31	What is your term of payment?	30% payment in advance, 70% paid before shipment.
32	What is your MOQ?	One container.
33	Are you a trading company or a manufacturer?	Trade and Industry combination group company.
34	How long is your delivery time?	