



Cast Steel Pressure Reducing Valve

We supply high quality Hispeed® Cast Steel Pressure Reducing Valve. The HISPEED® Cast Steel Pressure Reducing Valves reduce a higher inlet pressure to a lower outlet pressure. The Cast Steel Pressure Reducing Valves may be used in commercial and industrial applications, including chemical, biochemistry, pulp & paper, chemical fiber, pharmaceutical, environmental protection etc. Choose HISPEED® Cast Steel Pressure

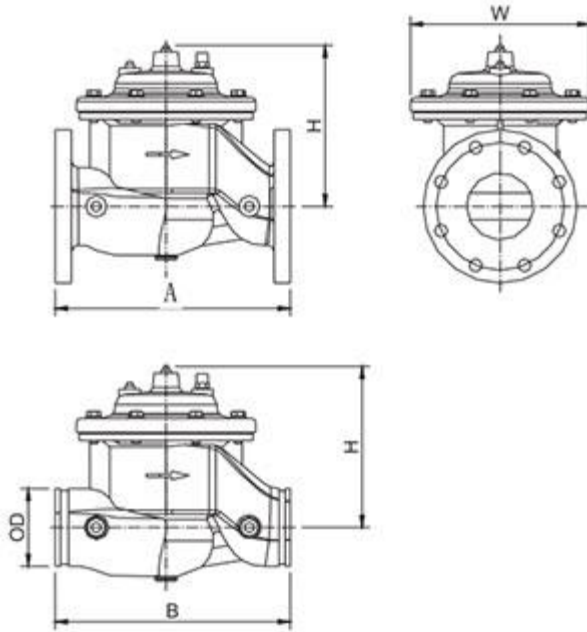
Reducing Valves for the most specified, versatile and economical valve option in commercial, mechanical and industrial applications. We are expecting to become your long term partner in China. ng to become your long term partner in China.

Product Description

As the professional manufacture, we would like to provide you high quality Hispeed® Cast Steel Pressure Reducing Valve. And we will offer you the best after-sale service and timely delivery.

The HISPEED® Cast Steel Pressure Reducing Valves reduce a higher inlet pressure to a lower outlet pressure. The Cast Steel Pressure Reducing Valves may be used in commercial and industrial applications, including chemical, biochemistry, pulp & paper, chemical fiber, pharmaceutical, environmental protection etc. Choose HISPEED® Cast Steel Pressure Reducing Valves for the most specified, versatile and economical valve option in commercial, mechanical and industrial applications. We are expecting to become your long term partner in China. Adhering into the theory of "quality, services, efficiency and growth", now we have gained trusts and praises from domestic and international shopper for Professional China China Bellows Pressure Reducing Valve Relief Valve, Seeing believes! We sincerely welcome the new prospects abroad to set up company interactions and also expect to consolidate the interactions with all the long-established clients. Professional China China Prv, Valves -China -B2b -India, Our products are very popular in the word, like South American, Africa, Asia and so on. Companies to "create first-class products" as the goal, and strive to provide customers with high quality products, provide high-quality after-sales service and technical support, and customer mutual benefit, create a better career and future.

Product Parameter (Specification)



Size	DN40	DN50	DN65	DN80	DN100	DN125	DN150	DN200	DN250	DN300
A	200	230	290	310	350	400	480	600	730	850
B	220	241	290	325	381	419	508	645	762	900
OD	48.26	60.3	73	88.9	114.3	139.7/141.3	165.1/168.3	219.1	273	323.9
H	180	200	215	265	290	340	390	470	570	690
W	260	270	290	305	320	340	370	420	470	520

Product Feature And Application

- Constant outlet pressure over flow range
- Pilot-operated main valve not subject to pressure fall off
- Outlet pressure is adjustable with single screw
- Can be maintained without removal from the pipe line
- Adjustable opening/response speed
- Stabilized regulation at near-zero flow
- Flanged and Drilling Complies with ANSI B16.5/ EN 1092-1 PN16/Groove dimensions comply with AWWA C606
- 300psi/PN16
- Fusion Bonded Epoxy Coated Interior and Exterior to AWWA C550 Standard

Product Details

Part	Material	EN Specification	ASTM Specification
Body	Cast Steel		
Bonnet	Cast Steel		
Seat	Stainless Steel	EN 10213, GX5CrNi19-10	A351 Grade CF8
Stem	Stainless Steel	EN 10088-3, X5CrNi18-10	A276 Type 304
Diaphragm	Nylon Reinforced Natural Rubber/EPDM/NBR		
Seat Disc	Rubber	EN 681, EPDM/NBR	D2000 EPDM/NBR
Pressure Reducing Pilot	Bronze	EN 12420, CW306G	B148 C95200

Deliver, Shipping And Servicing

Ship from Qingdao or another Seaports

FAQ

	Q	A
1	How many days you need to install the equipment?	Unwanted.
2	How many staff abroad you sent to install the equipment?	Unwanted.
3	Can I transfer the money to you then you pay to other supplier?	YES.
4	Can I delivery the goods from other supplier to your factory? Then load together?	YES.
5	When will you leave your factory and to have your spring festival holidays?	According to national regulations.
6	Can the equipment be installed under hot weather?	YES.
7	Can Your products be installed under the cold weather?	YES.
8	Do You have office in shanghai or guangzhou that i can visit?	NONE.
9	Can you send your staff to install the equipment for us?	Unwanted.

10	Can I only buy some spare parts from you?	YES.
11	Will you will attend the fair to show your products?	YES.
12	Can you send your equipment to my warehouse in guangzhou?	YES.
13	How long it takes you to provide the designing options for us?	3 days at most.
14	What is your products standardization?	AWWA BS AIP WRAS FM.
15	How do you pack the equipment?	Negotiate with the customer.
16	Can you can design the equipment according to our size?	YES.
17	How many years have your company made this kind of equipment?	5 years.
18	Which certificate do you have for your equipment?	FM.
19	How many staffs do you have in your factory?	200
20	Do you have any agent in our country?	NONE.
21	Do you have any real project pictures of the equipment?	YES.
22	How far is your factory from the city hotel?	10 km.
23	How far is your factory from the airport?	10 km.
24	How long it will take from guangzhou to your factory?	5 hours.
25	Where is your factory located?	Weifang City,Shandong province.
26	Do you provide free spare parts?	It depends.
27	What is the age range for your products?	Everyone.

28	Do you have detailed and professional installation manual?	YES.
29	If OEM is acceptable?	YES.
30	Do you provide sample? Free or charge?	It depends.
31	What is your term of payment?	30% payment in advance, 70% paid before shipment.
32	What is your MOQ?	One container.
33	Are you a trading company or a manufacturer?	Trade and Industry combination group company.
34	How long is your delivery time?	25-40 days.