



### Cast Steel Knife Gate Valve

We supply Hispeed® Cast Steel Knife Gate Valve. Its application range is very wide, from coal mining in mines and power plants, slag discharge, to urban sewage treatment; from cement and paper mill slurry transportation to food, sanitation, medicine and other professional pipelines. The ultra-thin design of the Knife Gate Valve completely solves the ordinary gate valve, the slab gate valve, the ball valve, the globe valve,

the regulating valve, the butterfly valve and the like with the advantages of small volume, light weight, small flow resistance, no slag accumulation, easy installation and easy disassemble. The flow resistance is large, occupying space, easy to accumulate slag, and difficult to install and maintain. Therefore, a large number of general-purpose cut-off gates and regulating gates are replaced by Knife Gate Valve. We are expecting to become your long term partner in China.

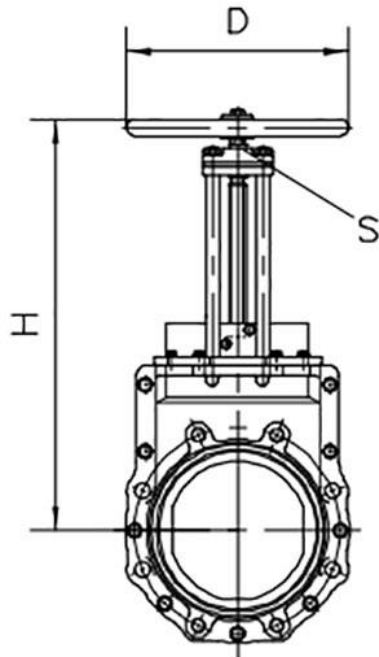
### Product Description

You can rest assured to buy Hispeed® Cast Steel Knife Gate Valve from our factory and we will offer you the best after-sale service and timely delivery.

Its application range is very wide, from coal mining in mines and power plants, slag discharge, to urban sewage treatment; from cement and paper mill slurry transportation to food, sanitation, medicine and other professional pipelines. The ultra-thin design of the Knife Gate Valve completely solves the ordinary gate valve, the slab gate valve, the ball valve, the globe valve, the regulating valve, the butterfly valve and the like with the advantages of small volume, light weight, small flow resistance, no slag accumulation, easy installation and easy disassemble. The flow resistance is large, occupying space, easy to accumulate slag, and difficult to install and maintain. Therefore, a large number of general-purpose cut-off gates and regulating gates are replaced by Knife Gate Valve. We are expecting to become your long term partner in China.

Our commission is to serve our users and clients with best quality and competitive portable digital products for Bottom price China Top Quality Cast Steel Manual Knife Type Gate Valve, All prices depend upon the quantity of your order; the more you order, the more economical the price is. We also offer good OEM service to many famous brands. Bottom price China Cast Steel Metal Seat Gate Valve, Manual Knife Type Gate Valve, "Make the women more attractive" is our sales philosophy. "Being customers' trusted and preferred brand supplier" is the goal of our company. We've been strict with every part of our work. We sincerely welcome friends to negotiate business and start cooperation. We hope to join hands with friends in different industries to create a brilliant future.

**ProductParameter (Specification)**



Nominal size DN	Face-to-face dimension L mm	Height H mm	Handwheel D mm	Rev. per stroke	Square S mm
50	43	323	200	12	14
65	46	348	200	16	14
80	46	378	200	20	14
100	52	416	225	25	17
125	56	456	225	31	17
150	56	509	250	30	19
200	60	600	320	40	19
250	68	713	320	50	19
300	78	832	400	60	24
350	78	935	400	70	24
400	102	1016	400	80	24
500	127	1265	500	84	27
600	154	1442	500	100	27

**ProductFeature And Application**

Can be used as an intermediate flange or terminal gate valve.

External stem thread. Not in contact with the medium. At flooded valve optional a rising extension stem is available.

Sealing on both sides – high functional safety in both flow directions, low torques.

Low operating torques – smaller drives, especially for pneumatics.

The transverse seal can be replaced without removing the gate valve.  
 Flanged and Drilling Complies with ANSI B16.5 / EN 1092-1 PN16.  
 300psi/PN16.

### Product Details

#### Materials of Main Parts

PARTS NAME	MATERIAL				
	CARBON STEEL	STAINLESS STEEL			
BODY	ASTM A216 WCB	ASTM A351 CF8	ASTM A351 CF8M	ASTM A351 CF3	ASTM A351 CF3M
SEAT	NBR、CR、EPDM、FPM				
WEDGE	ASTM A240 304	ASTM A240 304	ASTM A240 316	ASTM A240 304L	ASTM A240 316L
PACKING	PTFE				
YOKE BOLT	ASTM A193 B7	ASTM A193 B8	ASTM A193 B8	ASTM A193 B8	ASTM A193 B8
YOKE NUT	ASTM A194 2H	ASTM A194 8	ASTM A194 8	ASTM A194 8	ASTM A194 8
GLAND	ASTM A216 WCB	ASTM A351 CF8	ASTM A351 CF8M	ASTM A351 CF3	ASTM A351 CF3M
YOKE	ASTM A216 WCB	ASTM A351 CF8	ASTM A351 CF8	ASTM A351 CF8	ASTM A351 CF8
GLAND BOLT	ASTM A193 B7	ASTM A193 B8	ASTM A193 B8	ASTM A193 B8	ASTM A193 B8
GLAND NUT	ASTM A194 2H	ASTM A194 8	ASTM A194 8	ASTM A194 8	ASTM A194 8
WEDGE BOLT	ASTM A193 B7	ASTM A193 B8	ASTM A193 B8	ASTM A193 B8	ASTM A193 B8
WEDGE NUT	ASTM A194 2H	ASTM A194 8	ASTM A194 8	ASTM A194 8	ASTM A194 8
WEDGE HOLDER	ASTM A276 410	ASTM A276 304	ASTM A276 316	ASTM A276 304L	ASTM A276 316L
STEM	ASTM A276 410	ASTM A276 304	ASTM A276 316	ASTM A276 304L	ASTM A276 316L
STEM NUT	ASTM B62	ASTM B62	ASTM B62	ASTM B62	ASTM B62

GASKET	ASTM B16	ASTM B16	ASTM B16	ASTM B16	ASTM B16
HANDWHEEL	ASTM A536	ASTM A536	ASTM A536	ASTM A536	ASTM A536
HANDWHEEL	CARBON	CARBON	CARBON	CARBON	CARBON
NUT	STEEL	STEEL	STEEL	STEEL	STEEL

**Deliver,Shipping And Serving**

Ship fromQingdaooranotherSeaports

**FAQ**

	Q	A
1	How many days you need to install the equipment?	Unwanted.
2	How many staff abroad you sent to install the equipment?	Unwanted.
3	Can I transfer the money to you then you pay to other supplier?	YES.
4	Can I delivery the goods from other supplier to your factory? Then load together?	YES.
5	When will you leave your factory and to have your spring festival holidays?	According to national regulations.
6	Can the equipment be installed under hot weather?	YES.
7	Can Your products be installed under the cold weather?	YES.
8	Do You have office in shanghai or guangzhou that i can visit?	NONE.
9	Can you send your staff to install the equipment for us?	Unwanted.
10	Can I only buy some spare parts from you?	YES.
11	Will you will attend the fair to show your products?	YES.
12	Can you send your equipment to my warehouse in guangzhou?	YES.
13	How long it takes you to provide	3 days at most.

	the designing options for us?	
14	What is your products standardization?	AWWA BS AIP WRAS FM.
15	How do you pack the equipment?	Negotiate with the customer.
16	Can you can design the equipment according to our size?	YES.
17	How many years have your company made this kind of equipment?	5 years.
18	Which certificate do you have for your equipment?	FM.
19	How many staffs do you have in your factory?	200
20	Do you have any agent in our country?	NONE.
21	Do you have any real project pictures of the equipment?	YES.
22	How far is your factory from the city hotel?	10 km.
23	How far is your factory from the airport?	10 km.
24	How long it will take from guangzhou to your factory?	5 hours.
25	Where is your factory located?	Weifang City,Shandong province.
26	Do you provide free spare parts?	It depends.
27	What is the age range for your products?	Everyone.
28	Do you have detailed and professional installation manual?	YES.
29	If OEM is acceptable?	YES.
30	Do you provide sample? Free or charge?	It depends.
31	What is your term of payment?	30% payment in advance, 70% paid before

		shipment.
32	What is your MOQ?	One container.
33	Are you a trading company or a manufacturer?	Trade and Industry combination group company.
34	How long is your delivery time?	25-40 days.