



### Cast Iron Swing Check Valve

As the professional manufacture, we would like to provide you Cast Iron Swing Check Valve. We supply Cast Iron Swing Check Valve. The HISPEED® Cast Iron Swing Check Valves may be used in commercial and industrial applications, including water supply, waste water, gas supply, fire protection, HVAC and irrigation. Choose HISPEED® Cast Iron Swing Check Valves for the most specified, versatile and economical valve

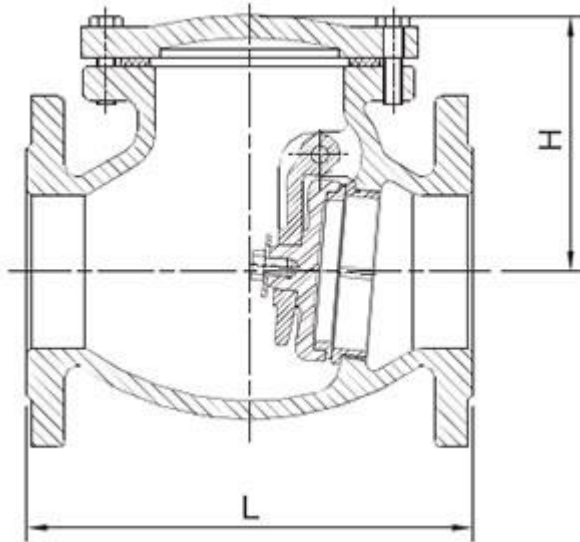
option in commercial, mechanical and industrial applications. We are expecting to become your long term partner in China.

### Product Description

As the professional manufacture, we would like to provide you Cast Iron Swing Check Valve. HISPEED continually strives to offer competitive pricing and on-time delivery while maintaining stringent standards of quality.

The HISPEED® Cast Iron Swing Check Valves may be used in commercial and industrial applications, including water supply, waste water, gas supply, fire protection, HVAC and irrigation. Choose HISPEED® Cast Iron Swing Check Valves for the most specified, versatile and economical valve option in commercial, mechanical and industrial applications. We are expecting to become your long term partner in China. The key to our success is "Good Merchandise High-quality, Reasonable Selling price and Efficient Service" for Quoted price for China Cast Iron / Duct Iron Butterfly Valves Knife Edged Valves Gate Valves Globe Valves Swing Check Valves Parts, We have more than 20 years experience with this industry, and our product sales are effectively qualified. We will provide you one of the most skilled ideas to meet your products' necessities. Any troubles, occur to us! Quoted price for China Machine Lathe Bed, Rolling Mill Housing, Our tenet is "integrity first, quality best". We've got confidence in providing you with excellent service and ideal solutions. We sincerely hope we can establish win-win business cooperation with you in the future.

### Product Parameter (Specification)



Size	DN50	DN65	DN80	DN100	DN125	DN150	DN200	DN250	DN300	DN350	DN400	DN450	DN500	DN600
L	203	216	241	292	330	356	495	622	699	787	914	965	1016	1219
H	121	135	141	168	182	215	267	305	343	450	520	550	590	680

**Product Feature And Application**

Meet or exceed AWWA C508/BS5153

Globe shape to provide full flow with low pressure drop

Suitable for mounting in horizontal and vertical position

Flange Drilling to ANSI B16.1, Class 125 / EN1092-PN16

300PSI/PN16

**Product Details**

PartName	Material	EN Specification	ASTM Specification
Body	Grey Cast Iron	EN1561 EN-GJL-250	A126 Class B
Cover	Grey Cast Iron	EN1561 EN-GJL-250	A126 Class B
Side Plug	Brass	EN 12168, CuZn39Pb3	B16 C36000
Hanger Pin	Stainless Steel	EN10088, X20Cr13	A276 Type 420
Hanger	Ductile Iron	EN1563 EN-GJS-450-10	A536 Grade 65-45-12
Disc	Grey Cast Iron	EN1561 EN-GJL-250	A126 Class B
Disc Trim	Bronze	EN1982, CuALL0Fe2	B62 C83600
	Rubber	EN681, EPDM or NBR	D2000
Body Trim	Bronze	EN1982, CuALL0Fe2	B62 C83600
Gasket	Graphite	Non-Asbestos	Non-Asbestos

**Deliver,Shipping And Serving**

Ship from Qingdao or another Seaports

**FAQ**

	Q	A
1	How many days you need to install the equipment?	Unwanted.
2	How many staff abroad you sent to install the equipment?	Unwanted.
3	Can I transfer the money to you then you pay to other supplier?	YES.
4	Can I delivery the goods from other supplier to your factory? Then load together?	YES.
5	When will you leave your factory and to have your spring festival holidays?	According to national regulations.
6	Can the equipment be installed under hot weather?	YES.
7	Can Your products be installed under the cold weather?	YES.
8	Do You have office in shanghai or guangzhou that i can visit?	NONE.
9	Can you send your staff to install the equipment for us?	Unwanted.
10	Can I only buy some spare parts from you?	YES.
11	Will you will attend the fair to show your products?	YES.
12	Can you send your equipment to my warehouse in guangzhou?	YES.
13	How long it takes you to provide the designing options for us?	3 days at most.
14	What is your products standardization?	AWWA BS AIP WRAS FM.
15	How do you pack the	Negotiate with the customer.

	equipment?	
16	Can you can design the equipment according to our size?	YES.
17	How many years have your company made this kind of equipment?	5 years.
18	Which certificate do you have for your equipment?	FM.
19	How many staffs do you have in your factory?	200
20	Do you have any agent in our country?	NONE.
21	Do you have any real project pictures of the equipment?	YES.
22	How far is your factory from the city hotel?	10 km.
23	How far is your factory from the airport?	10 km.
24	How long it will take from guangzhou to your factory?	5 hours.
25	Where is your factory located?	Weifang City,Shandong province.
26	Do you provide free spare parts?	It depends.
27	What is the age range for your products?	Everyone.
28	Do you have detailed and professional installation manual?	YES.
29	If OEM is acceptable?	YES.
30	Do you provide sample? Free or charge?	It depends.
31	What is your term of payment?	30% payment in advance, 70% paid before shipment.
32	What is your MOQ?	One container.
33	Are you a trading company or a manufacturer?	Trade and Industry combination group company.

34	How long is your delivery time?	25-40 days.
----	---------------------------------	-------------