



### Brass or Bronze Check Valve

We supply Brass or Bronze Check Valve. The HISPEED® Brass or Bronze Check Valves are designed and manufactured to provide maximum service life and dependability. The HISPEED® Brass or Bronze Check Valves may be used in building services, water treatment, oil, gas, etc. Choose HISPEED® Brass or Bronze Check Valves for the most specified, versatile and economical valve option in commercial, mechanical and industrial applications. We are expecting to become your long term partner in China.

industrial applications. We are expecting to become your long term partner in China.

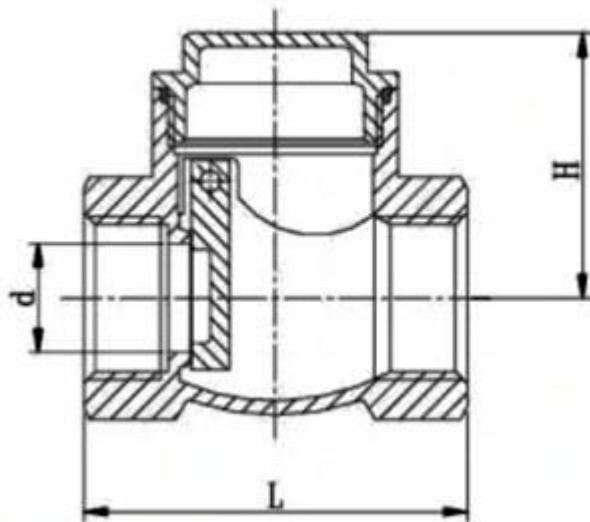
### Product Description

You are welcomed to come to our factory to buy the latest selling, low price, and high-quality Hispeed® Brass or Bronze Check Valve. We look forward to cooperating with you.

The HISPEED® Brass or Bronze Check Valves are designed and manufactured to provide maximum service life and dependability. The HISPEED® Brass or Bronze Check Valves may be used in building services, water treatment, oil, gas, etc. Choose HISPEED® Brass or Bronze Check Valves for the most specified, versatile and economical valve option in commercial, mechanical and industrial applications. We are expecting to become your long term partner in China.

We offer fantastic energy in high quality and enhancement, merchandising, profits and promoting and procedure for Quality Inspection for China Brass Bronze Screwed Thread Swing Check Valve, Welcome throughout the world buyers to speak to us for organization and long-term cooperation. We're going to be your reliable partner and supplier. Quality Inspection for China Bronze Swing Check Valve, Swing Thread Check Valve, Due to the stability of our merchandise, timely supply and our sincere service, we have been able to sell our products and solutions not only over the domestic market, but also exported to countries and regions, including the Middle East, Asia, Europe and other countries and regions. At the same time, we also undertake OEM and ODM orders. We'll do our best to serve your company, and establish a successful and friendly cooperation with you.

### Product Parameter (Specification)



DN	SIZE	L	d	H
15	1/2	46	13	34
20	3/4	53	19	34
25	1	59	23	39
32	1 1/4	67	28	48
40	1 1/2	75	34	54
50	2	84	43	61
65	2 1/2	120	54	81
80	3	133	65	86
100	4	162	87	107

**Product Feature And Application**

Body wall thickness:≥1.8mm;

Valve Opening and closing be flexible, no card resistance;

Valve surface smooth, not have sand holes, cracks, porosity, non-metallic inclusion defects, etc.

**Product Details**

Body Material: Brass/Bronze

Disc: Brass/Bronze

Medium: water, oil, air,gas

Temperature: -10°C-110°C

Thread: Female\*Female

Thread: PT. PF. NPT. G. BSP. NPS . BSPT

Available from Male to Male

Mainly use in Agricultural field and Air pump

**Deliver,Shipping And Serving**

Ship from Qingdao or another Seaports

**FAQ**

	Q	A
1	How many days you need to install the equipment?	Unwanted.
2	How many staff abroad you sent to install the equipment?	Unwanted.
3	Can I transfer the money to you then you pay to other supplier?	YES.
4	Can I delivery the goods from other supplier to your factory? Then load together?	YES.
5	When will you leave your factory and to have your spring festival holidays?	According to national regulations.
6	Can the equipment be installed under hot weather?	YES.
7	Can Your products be installed under the cold weather?	YES.
8	Do You have office in shanghai or guangzhou that i can visit?	NONE.
9	Can you send your staff to install the equipment for us?	Unwanted.
10	Can I only buy some spare parts from you?	YES.
11	Will you will attend the fair to show your products?	YES.
12	Can you send your equipment to my warehouse in guangzhou?	YES.
13	How long it takes you to provide the designing options for us?	3 days at most.
14	What is your products standardization?	AWWA BS AIP WRAS FM.

15	How do you pack the equipment?	Negotiate with the customer.
16	Can you can design the equipment according to our size?	YES.
17	How many years have your company made this kind of equipment?	5 years.
18	Which certificate do you have for your equipment?	FM.
19	How many staffs do you have in your factory?	200
20	Do you have any agent in our country?	NONE.
21	Do you have any real project pictures of the equipment?	YES.
22	How far is your factory from the city hotel?	10 km.
23	How far is your factory from the airport?	10 km.
24	How long it will take from guangzhou to your factory?	5 hours.
25	Where is your factory located?	Weifang City,Shandong province.
26	Do you provide free spare parts?	It depends.
27	What is the age range for your products?	Everyone.
28	Do you have detailed and professional installation manual?	YES.
29	If OEM is acceptable?	YES.
30	Do you provide sample? Free or charge?	It depends.
31	What is your term of payment?	30% payment in advance, 70% paid before shipment.
32	What is your MOQ?	One container.
33	Are you a trading company or a	Trade and Industry combination group company.

	manufacturer?	
34	How long is your delivery time?	25-40 days.