



**Ball Valve**

We supply Hispeed® Ball Valve. The HISPEED® Ball Valves are designed and manufactured to provide maximum service life and dependability. The HISPEED® Ball Valve may be used in commercial and industrial applications, including chemical, biochemistry, pulp & paper, chemical fiber, pharmaceutical, environmental protection etc. Choose HISPEED® Ball Valves for the most specified, versatile and economical valve

option in commercial, mechanical and industrial applications. The Ball Valve features a flange, easy installation and accessibility. We are expecting to become your long term partner in China.

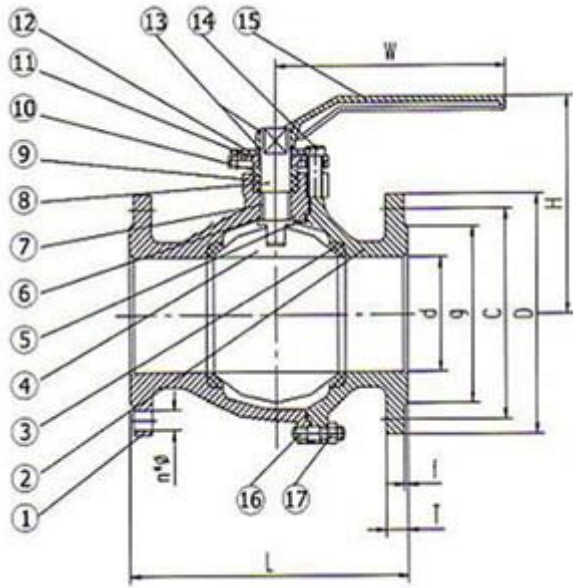
**Product Description**

The following is the introduction of high quality Hispeed® Ball Valve, hoping to help you better understand Ball Valve. Welcome new and old customers to continue to cooperate with us to create a better future!

The HISPEED® Ball Valves are designed and manufactured to provide maximum service life and dependability. The HISPEED® Ball Valve may be used in commercial and industrial applications, including chemical, biochemistry, pulp & paper, chemical fiber, pharmaceutical, environmental protection etc. Choose HISPEED® Ball Valves for the most specified, versatile and economical valve option in commercial, mechanical and industrial applications. The Ball Valve features a flange, easy installation and accessibility. We are expecting to become your long term partner in China.

High-quality comes 1st; assistance is foremost; business enterprise is cooperation" is our business enterprise philosophy which is constantly observed and pursued by our business for Wholesale Discount China Manufacturer Brass Angle Type Magnetic Lockable Ball Valve for Potable Water HDPE/PE Pipe, We maintain timely delivery schedules, modern designs, high-quality and transparency for our clients. Our moto would be to deliver high quality solutions within stipulated time. Wholesale Discount China Brass Lockable Ball Valve, Lockable Ball Valve, You can do one-stop shopping here. And customized orders are acceptable. Real business is to get win-win situation, if possible, we would like to deliver more support for customers. Welcome all nice buyers communicate details of items and ideas with us

**Product Parameter (Specification)**



SIZE	INCH	1/2	3/4	1	1 1/4	1 1/2	2	2 1/2	3	4	5	6	8	10	12
INCH	MM	15	20	25	32	40	50	65	80	100	125	150	200	250	300
L		108	117	127	140	165	178	190	203	229	356	394	457	533	610
D		89	98	108	117	127	152	178	190	229	254	279	343	406	483
C		60.5	70	79.5	89	98.5	120.5	139.5	152.5	190.5	216	241.5	298.5	362	432
g		35	43	51	64	73	92	105	127	157	186	216	270	324	381
T		12	12	12	13	15	16	18	19	24	24	26	29	31	32
t		1.6	1.6	1.6	1.6	1.6	1.6	1.6	1.6	1.6	1.6	1.6	1.6	1.6	1.6
W		115	115	150	150	200	200	320	320	450	800	800	1100	1100	1400
H		55	59	70	76	97	106	141	150	183	230	250	342	345	479

**Product Feature And Application**

- Basic Design: API608
- Face to Face Dimensions: ASME B16.10
- End Flange Dimensions: ASME B16.5
- Butt Welding End: ASME B16.25
- Inspection and Test: API 598
- Materials: ASTM

**Product Details**

PARTS	MATERIALS
BODY	CF8M,SCS14; CF8,SCS13; CF3M,SCS16
CAP	CF8M,SCS14; CF8,SCS13; CF3M,SCS16
BALL SEATS	PTFE
BALL SEATS	S.S316,S.S304,SUS14,SUS13
GASKET	PTFE
THRUST WASHER	PTFE
BUSHING	PTFE
STEM	S.S316,S.SUS14,S.S304,SUS13
STEM PACKING	PTFE
GLAND	S.S316,S.SUS14,S.S304,SUS13
GLAND FLANGE	CF8M,SCS14; CF8,SCS13
LOCK PLATE	CF8M,SCS14; CF8,SCS13
RETAILING RING	S.S304, SUS13
GLAND BOLT	S.S304, SUS13
HANDLE	QT400-15
BOLT	S.S304, SUS13
NUT	S.S304, SUS13

**Deliver,Shipping And Serving**

Ship from Qingdao or another Seaports

**FAQ**

	Q	A
1	How many days you need to install the equipment?	Unwanted.
2	How many staff abroad you sent to install the equipment?	Unwanted.
3	Can I transfer the money to you then you pay to other supplier?	YES.
4	Can I delivery the goods from other supplier to your factory? Then load together?	YES.
5	When will you leave your factory	According to national regulations.

	and to have your spring festival holidays?	
6	Can the equipment be installed under hot weather?	YES.
7	Can Your products be installed under the cold weather?	YES.
8	Do You have office in shanghai or guangzhou that i can visit?	NONE.
9	Can you send your staff to install the equipment for us?	Unwanted.
10	Can I only buy some spare parts from you?	YES.
11	Will you will attend the fair to show your products?	YES.
12	Can you send your equipment to my warehouse in guangzhou?	YES.
13	How long it takes you to provide the designing options for us?	3 days at most.
14	What is your products standardization?	AWWA BS AIP WRAS FM.
15	How do you pack the equipment?	Negotiate with the customer.
16	Can you can design the equipment according to our size?	YES.
17	How many years have your company made this kind of equipment?	5 years.
18	Which certificate do you have for your equipment?	FM.
19	How many staffs do you have in your factory?	200
20	Do you have any agent in our country?	NONE.
21	Do you have any real project pictures of the equipment?	YES.

22	How far is your factory from the city hotel?	10 km.
23	How far is your factory from the airport?	10 km.
24	How long it will take from guangzhou to your factory?	5 hours.
25	Where is your factory located?	Weifang City, Shandong province.
26	Do you provide free spare parts?	It depends.
27	What is the age range for your products?	Everyone.
28	Do you have detailed and professional installation manual?	YES.
29	If OEM is acceptable?	YES.
30	Do you provide sample? Free or charge?	It depends.
31	What is your term of payment?	30% payment in advance, 70% paid before shipment.
32	What is your MOQ?	One container.
33	Are you a trading company or a manufacturer?	Trade and Industry combination group company.
34	How long is your delivery time?	25-40 days.