



Balancing Valve

We supply Balancing Valve. We produce innovative balancing and control valves and pressure independent control valves for heating and cooling systems that give you control at every turn. Our compact, pressure independent control valves deliver industry-leading performance in variable flow applications characterised by high temperatures and or pressure drops. We are expecting to become your long term partner in

China.

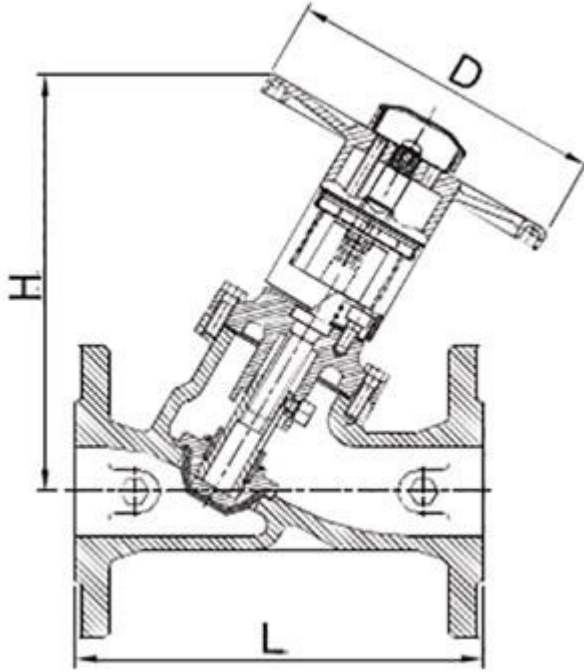
Product Description

You can rest assured to buy Hispeed® Balancing Valve from our factory and we will offer you the best after-sale service and timely delivery.

We produce innovative balancing and control valves and pressure independent control valves for heating and cooling systems that give you control at every turn. Our compact, pressure independent control valves deliver industry-leading performance in variable flow applications characterised by high temperatures and or pressure drops. We are expecting to become your long term partner in China.

We hold strengthening and perfecting our items and repair. At the same time, we get the job done actively to do research and progress for Manufacturing Companies for China Boom Counter Balance Valve for Sany Truck Crane , We're confident to generate good achievements while in the future. We've been hunting forward to becoming one of your respective most dependable suppliers. Manufacturing Companies for China Balance Valve, Boom Counter Balance Valve, Our products are exported worldwide. Our customers are always satisfied with our reliable quality, customer-oriented services and competitive prices. Our mission is "to continue to earn your loyalty by dedicating our efforts to the constant improvement of our items and services in order to ensure the satisfaction of our end-users, customers, employees, suppliers and the worldwide communities in which we cooperate".

Product Parameter (Specification)



Size	DN50	DN65	DN80	DN100	DN125	DN150	DN200	DN250	DN300
L	230	290	310	350	400	480	600	730	850
H	248	279	294	313	357	399	463	554	566
D	205	205	205	205	300	300	300	450	450

Product Feature And Application

Inside screw, non-rising stem

EPDM coated disc

Back seating feature

Can be set in conjunction with flow charts

Two test points located on each valve

Flanged and Drilling Complies with ANSI B16.1 Class 125 / EN 1092-2 PN16

300psi/PN16

Fusion Bonded Epoxy Coated Interior and Exterior to AWWA C550 Standard

Product Details

Part	Material	EN Specification	ASTM Specification
Body	Ductile Iron	EN 1563, EN-GJS-450-10	A536 65-45-12
Disc	EPDM Encapsulated Ductile Iron		
Disc Nut	Brass	EN 12164, CW614N	B16 C36000
Stem	Stainless Steel	EN 10088-3, X20Cr13	A276 Grade 420
O-Ring	Rubber	EN 681, EPDM	D2000, EPDM
Bonnet	Ductile Iron	EN 1563, EN-GJS-450-10	A536 65-45-12
Gasket	Rubber	EN 681, EPDM	D2000, EPDM
Handwheel	Ductile Iron	EN 1563, EN-GJS-450-10	A536 65-45-12

Deliver, Shipping And Serving

Ship from Qingdao or another Seaports

FAQ

	Q	A
1	How many days you need to install the equipment?	Unwanted.
2	How many staff abroad you sent to install the equipment?	Unwanted.
3	Can I transfer the money to you then you pay to other supplier?	YES.
4	Can I delivery the goods from other supplier to your factory? Then load together?	YES.
5	When will you leave your factory and to have your spring festival holidays?	According to national regulations.
6	Can the equipment be installed under hot weather?	YES.
7	Can Your products be installed under the cold weather?	YES.
8	Do You have office in shanghai or guangzhou that i can visit?	NONE.
9	Can you send your staff to install	Unwanted.

	the equipment for us?	
10	Can I only buy some spare parts from you?	YES.
11	Will you will attend the fair to show your products?	YES.
12	Can you send your equipment to my warehouse in guangzhou?	YES.
13	How long it takes you to provide the designing options for us?	3 days at most.
14	What is your products standardization?	AWWA BS AIP WRAS FM.
15	How do you pack the equipment?	Negotiate with the customer.
16	Can you can design the equipment according to our size?	YES.
17	How many years have your company made this kind of equipment?	5 years.
18	Which certificate do you have for your equipment?	FM.
19	How many staffs do you have in your factory?	200
20	Do you have any agent in our country?	NONE.
21	Do you have any real project pictures of the equipment?	YES.
22	How far is your factory from the city hotel?	10 km.
23	How far is your factory from the airport?	10 km.
24	How long it will take from guangzhou to your factory?	5 hours.
25	Where is your factory located?	Weifang City,Shandong province.
26	Do you provide free spare parts?	It depends.
27	What is the age range for your	Everyone.

	products?	
28	Do you have detailed and professional installation manual?	YES.
29	If OEM is acceptable?	YES.
30	Do you provide sample? Free or charge?	It depends.
31	What is your term of payment?	30% payment in advance, 70% paid before shipment.
32	What is your MOQ?	One container.
33	Are you a trading company or a manufacturer?	Trade and Industry combination group company.
34	How long is your delivery time?	25-40 days.