



Adapter with Female Threaded End

We supply Adapter with Female Threaded End. The HISPEED® Adapter with Female Threaded End can be applied to water treatment and drinking water, oil and gas, heating & power, HVAC system, medicine & food and so on. We are specialized in providing stainless steel press fittings system solutions and products for pipelines. We are expecting to become your long term partner in China.

Product Description

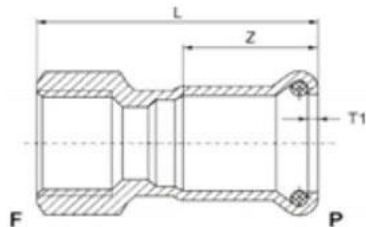
As a professional high quality Hispeed® Adapter with Female Threaded End manufacture, you can rest assured to buy Adapter with Female Threaded End from our factory and we will offer you the best after-sale service and timely delivery.

The HISPEED® Adapter with Female Threaded End can be applied to water treatment and drinking water, oil and gas, heating & power, HVAC system, medicine & food and so on. We are specialized in providing stainless steel press fittings system solutions and products for pipelines. We are expecting to become your long term partner in China.

Adhering to the principle of "quality, service, efficiency and growth", we have gained trusts and praises from domestic and international client for China Gold Supplier for China F304/316 Stainless Steel Press Fittings Female Adapter with Threaded End, At our firm with high-quality initial as our motto, we manufacture goods that are entirely made in Japan, from materials procurement to processing. This enables them for being used with self-assured peace of mind. China Gold Supplier for China Female Adapter, Press Fittings Female Adapter, We aim to become the modern enterprise with the commercial ideal of "Sincerity and confidence" and with the aim of "Offering customers the most sincere services and best quality products". We sincerely ask for your unchanged support and appreciate your kind advice and guidance.

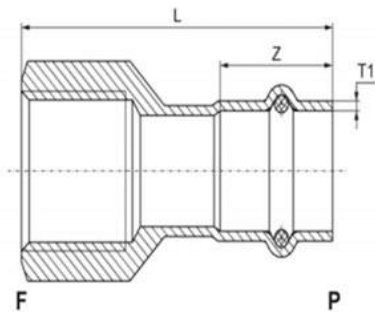
Product Parameter (Specification)

Adapter with Female Threaded End-M:



Size (OD) mm	L mm	Z mm	T1 mm
15xR1/2	49±2	20.5	1.5
18xR1/2	48±2	20.5	1.5
18xR3/4	49±2	20.5	1.5
22xR1/2	49±2	21	1.5
22xR3/4	49±2	21	1.5
22xR1	54±2	21	1.5
28xR3/4	51±2	23	1.5
28xR1	57±2	23	1.5
35xR1	61±2	27	1.5
35xR1 1/4	64±2	27	1.5
42xR1 1/2	70±2	32	1.5
54xR2	82±2	37	1.5
76.1xRp2 1/2	104±2	60	2.0
88.9xRp3	105±2	64	2.0
108xRp4	142±2	78	2.0
114.3xRp4	142±2	71.3	2.0

Adapter with Female Threaded End-V:



Size (OD) mm	L mm	Z mm	T1 mm
15xRp 1/2	49±2	22	1.5
18xRp 1/2	48±2	21	1.5
18xRp 3/4	48.5±2	21	1.5
22xRp 1/2	49±2	23	1.5
22xRp 3/4	50±2	23	1.5
22xRp 1	56±2	23	1.5
28xRp 3/4	50±2	24	1.5
28xRp 1	58±2	24	1.5
35xRp 1	62±2	27	1.5
35xRp 1 1/4	64±2	27	1.5
42xRp 1 1/2	77.5±2	38	1.5
54xRp 2	104±2	41	1.5

Product Feature And Application

- Easy&fast to install
- Long service life
- Wide range of applications
- Green health&Environmental protection
- Excellent corrosion resistance&Low cost of labour

Product Details

SS304/SS316L/carbon steel(galvanized)

O-ring in EPDM/FKM/NBR are available

Deliver, Shipping And Servicing

Ship from Qingdao or another Seaports

FAQ

	Q	A
1	How many days you need to install the equipment?	Unwanted.
2	How many staff abroad you sent to install the equipment?	Unwanted.
3	Can I transfer the money to you then you pay to other supplier?	YES.
4	Can I delivery the goods from other supplier to your factory? Then load together?	YES.
5	When will you leave your factory and to have your spring festival holidays?	According to national regulations.
6	Can the equipment be installed under hot weather?	YES.
7	Can Your products be installed under the cold weather?	YES.
8	Do You have office in shanghai or guangzhou that i can visit?	NONE.
9	Can you send your staff to install the equipment for us?	Unwanted.
10	Can I only buy some spare parts from you?	YES.
11	Will you will attend the fair to show your products?	YES.
12	Can you send your equipment to my warehouse in guangzhou?	YES.
13	How long it takes you to provide the designing options for us?	3 days at most.
14	What is your products standardization?	AWWA BS AIP WRAS FM.

15	How do you pack the equipment?	Negotiate with the customer.
16	Can you can design the equipment according to our size?	YES.
17	How many years have your company made this kind of equipment?	5 years.
18	Which certificate do you have for your equipment?	FM.
19	How many staffs do you have in your factory?	200
20	Do you have any agent in our country?	NONE.
21	Do you have any real project pictures of the equipment?	YES.
22	How far is your factory from the city hotel?	10 km.
23	How far is your factory from the airport?	10 km.
24	How long it will take from guangzhou to your factory?	5 hours.
25	Where is your factory located?	Weifang City,Shandong province.
26	Do you provide free spare parts?	It depends.
27	What is the age range for your products?	Everyone.
28	Do you have detailed and professional installation manual?	YES.
29	If OEM is acceptable?	YES.
30	Do you provide sample? Free or charge?	It depends.
31	What is your term of payment?	30% payment in advance, 70% paid before shipment.
32	What is your MOQ?	One container.
33	Are you a trading company or a	Trade and Industry combination group company.

	manufacturer?	
34	How long is your delivery time?	25-40 days.