



**300PSI Silent Check Valve**

You can rest assured to buy Hispeed® 300PSI Silent Check Valve from our factory. We supply 300PSI Silent Check Valve. The Check Valves are low friction loss check valves designed for use in fire protection systems. These are used in fire protection systems to allow water-flow in one direction only. Typical applications include connections between public water supplies and private fire systems, at the discharge from fire pumps, at gravity tank connections and at fire department pumper connections. We are expecting to become your long term partner in China.

We are expecting to become your long term partner in China.

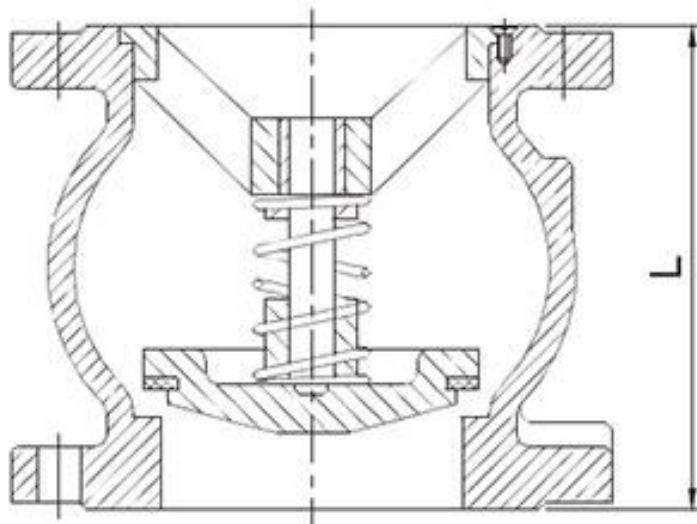
**Product Description**

You can rest assured to buy customized Hispeed® 300PSI Silent Check Valve from us. Hispeed adhered to the principle of "quality is the life", to provide customers with the best quality, the most competitive prices, the first-class after-sales service.

**Hispeed® 300PSI Silent Check Valve**

The Check Valves are low friction loss check valves designed for use in fire protection systems. These are used in fire protection systems to allow water-flow in one direction only. Typical applications include connections between public water supplies and private fire systems, at the discharge from fire pumps, at gravity tank connections and at fire department pumper connections. We are expecting to become your long term partner in China.

**Product Parameter (Specification)**



Size	DN50	DN65	DN80	DN100	DN125	DN150	DN200	DN250	DN300	DN350	DN400
L	100	120	140	170	200	230	288	354	410	460	500

**Product Feature And Application**

Complies With Requirements of EN 16767

The design is for liquid service and offers many obvious advantages compared with conventional swing check valve

Spring automatically closes disc at zero flow before flow reversal occurs

Completely guided disc both top and bottom

Perfect tightness soft sealed even at low differential pressure

Flanged and Drilling Complies with ANSI B16.1 Class125

300psi

Fusion Bonded Epoxy Coated Interior and Exterior to AWWA C550 Standard

**Product Details**

Part	Material	EN Specification	ASTM Specification
Body	Cast Iron	EN 1561, EN-GJL-250	A126 Class B
Seat	CI Integral	EN 1561, EN-GJL-250	A126 Class B
Disc	Cast Iron	EN 1561, EN-GJL-250	A126 Class B
Disc Ring	Rubber	EN 681, EPDM/NBR	D2000, EPDM/NBR
Spring	Stainless Steel	EN 10088-3, X5CrNi18-10	A276 Grade 304
Bushing	Bronze	EN 1982, CC491K	B62 C83600
Stem	Stainless Steel	EN 10088-3, X20Cr13	A276 Grade 420
	Brass	EN 12164, CW614N	B16 C36000
Bracket	Cast Iron	EN 1561, EN-GJL-250	A126 Class B

**Deliver,Shipping And Serving**

Ship from Qingdao or another Seaports

**FAQ**

	Q	A
1	How many days you need to install the equipment?	Unwanted.
2	How many staff abroad you sent to install the equipment?	Unwanted.
3	Can I transfer the money to you then you pay to other supplier?	YES.

4	Can I delivery the goods from other supplier to your factory? Then load together?	YES.
5	When will you leave your factory and to have your spring festival holidays?	According to national regulations.
6	Can the equipment be installed under hot weather?	YES.
7	Can Your products be installed under the cold weather?	YES.
8	Do You have office in shanghai or guangzhou that i can visit?	NONE.
9	Can you send your staff to install the equipment for us?	Unwanted.
10	Can I only buy some spare parts from you?	YES.
11	Will you will attend the fair to show your products?	YES.
12	Can you send your equipment to my warehouse in guangzhou?	YES.
13	How long it takes you to provide the designing options for us?	3 days at most.
14	What is your products standardization?	AWWA BS AIP WRAS FM.
15	How do you pack the equipment?	Negotiate with the customer.
16	Can you can design the equipment according to our size?	YES.
17	How many years have your company made this kind of equipment?	5 years.
18	Which certificate do you have for your equipment?	FM.
19	How many staffs do you have in your factory?	200

20	Do you have any agent in our country?	NONE.
21	Do you have any real project pictures of the equipment?	YES.
22	How far is your factory from the city hotel?	10 km.
23	How far is your factory from the airport?	10 km.
24	How long it will take from guangzhou to your factory?	5 hours.
25	Where is your factory located?	Weifang City, Shandong province.
26	Do you provide free spare parts?	It depends.
27	What is the age range for your products?	Everyone.
28	Do you have detailed and professional installation manual?	YES.
29	If OEM is acceptable?	YES.
30	Do you provide sample? Free or charge?	It depends.
31	What is your term of payment?	30% payment in advance, 70% paid before shipment.
32	What is your MOQ?	One container.
33	Are you a trading company or a manufacturer?	Trade and Industry combination group company.
34	How long is your delivery time?	25-40 days.

To create extra value for customers is our enterprise philosophy; buyer growing is our working chase for Wholesale OEM/ODM China DIN 2501 Flanged Silent Check Valve for Water Pump System, We keep on with supplying integration alternatives for customers and hope to create long-term, steady, sincere and mutual advantageous interactions with consumers. We sincerely anticipate your check out. Wholesale OEM/ODM China Valve, Check Valve, Now, we've been trying to enter new markets where we do not have a presence and developing the markets we've got the already penetrated. On account of superior quality and competitive price , we'll be the market leader, you should don't hesitate to contact us by phone or email, if you are interested in any of our products and solutions.