



300PSI Ductile Iron Y-Strainer

You can rest assured to buy customized 300PSI Ductile Iron Y-Strainer from us. We supply 300PSI Ductile Iron Y-Strainer. The HISPEED® 300PSI Ductile Iron Y-Strainers may be used in commercial and industrial applications, including water supply, waste water, gas supply, fire protection, HVAC and irrigation. Choose HISPEED® 300PSI Ductile Iron Y-Strainers for the most specified, versatile and economical valve option in commercial,

mechanical and industrial applications. We are expecting to become your long term partner in China.

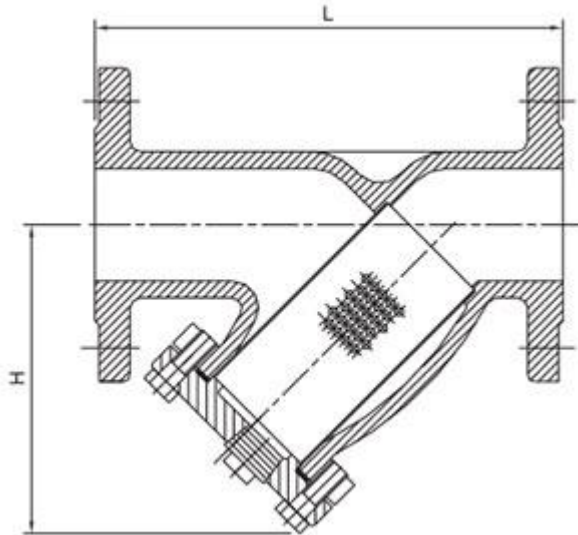
Product Description

You are welcomed to come to our factory to buy the latest selling, low price, and high-quality Hispeed® 300PSI Ductile Iron Y-Strainer. We look forward to cooperating with you.

The HISPEED® 300PSI Ductile Iron Y-Strainers may be used in commercial and industrial applications, including water supply, waste water, gas supply, fire protection, HVAC and irrigation. Choose HISPEED® 300PSI Ductile Iron Y-Strainers for the most specified, versatile and economical valve option in commercial, mechanical and industrial applications. We are expecting to become your long term partner in China. We take "customer-friendly, quality-oriented, integrative, innovative" as objectives. "Truth and honesty" is our management ideal for Big Discount China Cast Stainless Steel Swing Thread Check Valve, Living by good quality, enhancement by credit history is our eternal pursuit, We firmly feel that soon after your visit we will become long-term associates. Big Discount China Swing Check Valve, Swing Thread Check Valve, With excellent goods, high quality service and sincere attitude of service, we ensure customer satisfaction and help customers create value for mutual benefit and create a win-win situation. Welcome customers all over the world to contact us or visit our company. We'll satisfy you with our experienced service. "Control the standard by the details, show the power by quality". Our firm has strived to establish a extremely efficient and stable employees crew and explored an effective excellent command method for Competitive Price for China Cast Iron or Ductile Iron Y Strainer with Flange, We look forward to providing you with our goods while in the in close proximity to long term, and you will discover our quotation is extremely realistic as well as high-quality of our solutions is incredibly outstanding! Competitive Price for China Cast Iron, Flange Ends, We follow up the career and aspiration of our elder generation, and we are eager to open up a new prospect in this field, We insist on "Integrity, Profession, Win-win Cooperation", because we have now a strong backup, that

are excellent partners with advanced manufacturing lines, abundant technical strength, standard inspection system and good production capacity.

Product Parameter (Specification)



Size	DN50	DN65	DN80	DN100	DN125	DN150	DN200	DN250	DN300	DN350	DN400	DN450	DN500	DN600
L	230	273	295	352	416	470	543	660	770	960	1079	1168	1275	1450
H	149	180	203	244	285	324	393	473	554	755	840	910	968	1160
Plug	1/2"	1"	1"	1"	1-1/4"	1-1/2"	1-1/2"	2"	2"	2"	2"	2"	2"	2"

Product Feature And Application

NPT or BSPT blowoff outlet on cover

Screens are perforated ss304 with spot welded seam

Recessed seat in body assures accurate screen alignment

Flanged and Drilling Complies with ANSI B16.1 Class125 300psi

Fusion Bonded Epoxy Coated Interior and Exterior to AWWA C550 Standard

Product Details

Part	Material	EN Specification	ASTM Specification
Body	Ductile Iron	EN 1563, EN-GJS-450-10	A536 65-45-12
Cover	Ductile Iron	EN 1563, EN-GJS-450-10	A536 65-45-12
Screen	Stainless Steel	EN10088-3, X5CrNi18-10	A276 Grade 304
Gasket	EPDM		
Plug	7101 Cast Iron	EN 1561, EN-GJL-250	A126 Class B
	7102 Ductile Iron	EN 1563, EN-GJS-450-10	A536 65-45-12

Deliver,Shipping And Serving

Ship from Qingdao or another Seaports

FAQ

	Q	A
1	How many days you need to install the equipment?	Unwanted.
2	How many staff abroad you sent to install the equipment?	Unwanted.
3	Can I transfer the money to you then you pay to other supplier?	YES.
4	Can I delivery the goods from other supplier to your factory? Then load together?	YES.
5	When will you leave your factory and to have your spring festival holidays?	According to national regulations.
6	Can the equipment be installed under hot weather?	YES.
7	Can Your products be installed under the cold weather?	YES.
8	Do You have office in shanghai or guangzhou that i can visit?	NONE.
9	Can you send your staff to install the equipment for us?	Unwanted.
10	Can I only buy some spare parts from you?	YES.
11	Will you will attend the fair to show your products?	YES.
12	Can you send your equipment to my warehouse in guangzhou?	YES.
13	How long it takes you to provide the designing options for us?	3 days at most.
14	What is your products standardization?	AWWA BS AIP WRAS FM.
15	How do you pack the equipment?	Negotiate with the customer.
16	Can you can design the	YES.

	equipment according to our size?	
17	How many years have your company made this kind of equipment?	5 years.
18	Which certificate do you have for your equipment?	FM.
19	How many staffs do you have in your factory?	200
20	Do you have any agent in our country?	NONE.
21	Do you have any real project pictures of the equipment?	YES.
22	How far is your factory from the city hotel?	10 km.
23	How far is your factory from the airport?	10 km.
24	How long it will take from guangzhou to your factory?	5 hours.
25	Where is your factory located?	Weifang City, Shandong province.
26	Do you provide free spare parts?	It depends.
27	What is the age range for your products?	Everyone.
28	Do you have detailed and professional installation manual?	YES.
29	If OEM is acceptable?	YES.
30	Do you provide sample? Free or charge?	It depends.
31	What is your term of payment?	30% payment in advance, 70% paid before shipment.
32	What is your MOQ?	One container.
33	Are you a trading company or a manufacturer?	Trade and Industry combination group company.
34	How long is your delivery time?	25-40 days.