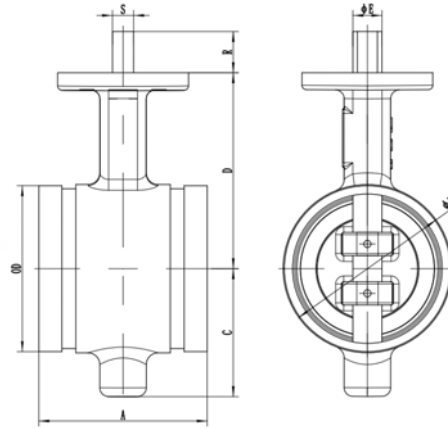
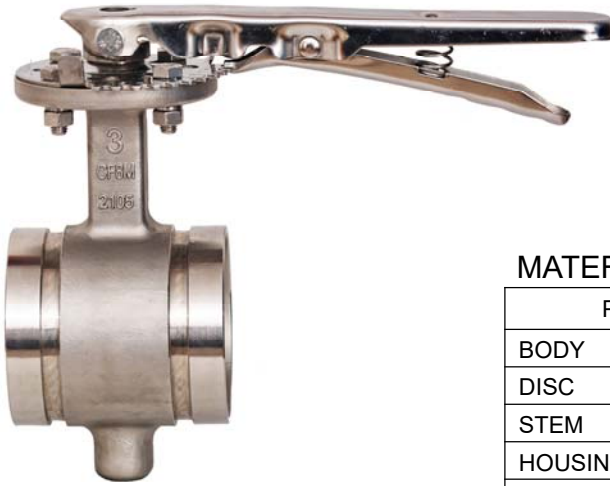


Cast Steel(SS) Butterfly Valve(Grooved)

Butterfly Valves



- Design and Manufacture Conform to AWWA C504
- Groove dimensions Conform to AWWA C606
- Face to Face dimensions Conform to MSS-SP70
- Testing Conform to AWWA C504/EN593
- Working Pressure 300PSI



MATERIALS

PART NAME	MATERIAL
BODY	CF8/CF8M/CF3/CF3M
DISC	CF8/CF8M/CF3/CF3M
STEM	SS431/SS304/SS316/SS420
HOUSING	ASTM A536 65-45-12
HANDWHEEL(OPTIONAL)	CF8/CF8M/CF3/CF3M

DIMENSIONS(mm)

DN	OD	A	B	C	D	E	S	R
50	60.3	81	62.5	51	102	12	8	14.5
65	73	96.8	75.1	57	108	12	9	14.5
65	76.1	96.8	75.1	57	108	12	9	14.5
80	88.9	96.8	90.2	70	115	16	12.5	28.5
100	114.3	115.8	116	88	135	20	14.5	28.5
125	139.7	147.6	141.3	100	150	24	16.5	28.5
125	141.3	147.6	141.3	100	150	24	16.5	28.5
150	165.1	147.6	168.3	118	165	24	16.5	28.5
150	168.3	147.6	168.3	118	165	24	16.5	28.5
200	216.3	133.4	219.1	148	190	28	20.5	30.5
200	219.1	133.4	219.1	148	190	28	20.5	30.5
250	267.4	158.8	273	180	220	32	24.5	30.5
250	273	158.8	273	180	220	32	24.5	30.5
300	318.5	165.1	324	205	240	34	24.5	30.5
300	323.9	165.1	324	205	240	34	24.5	30.5